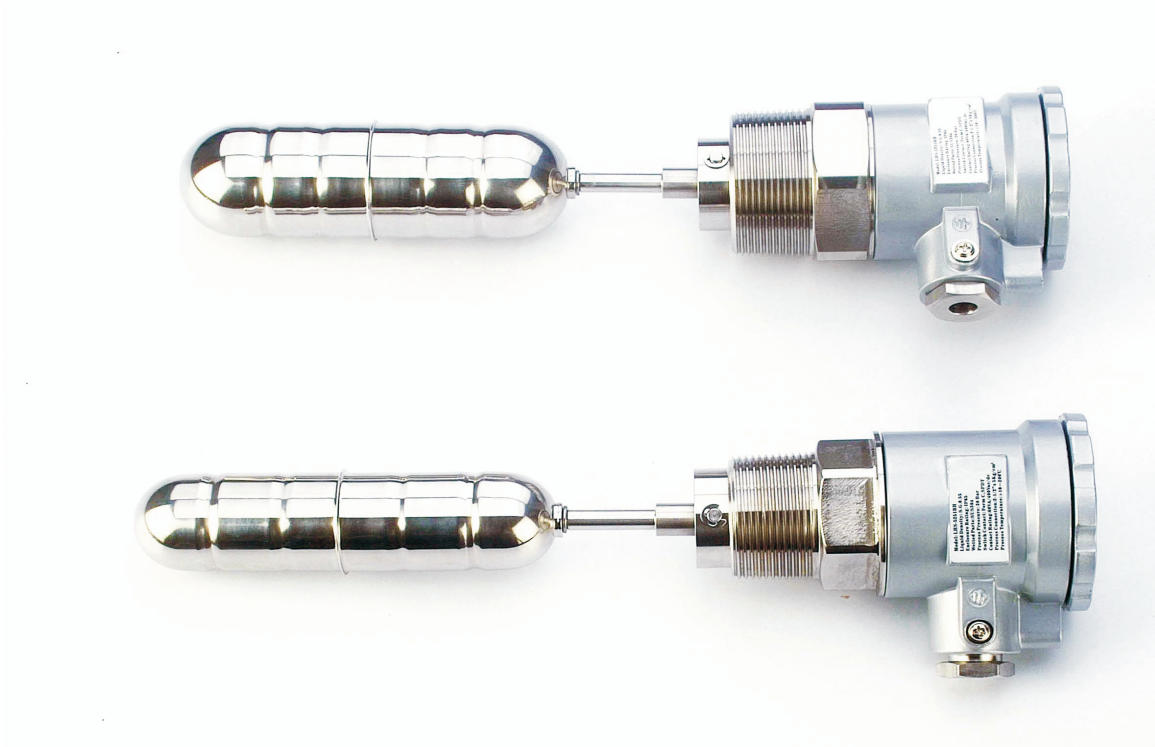


LHS Series Float Switches

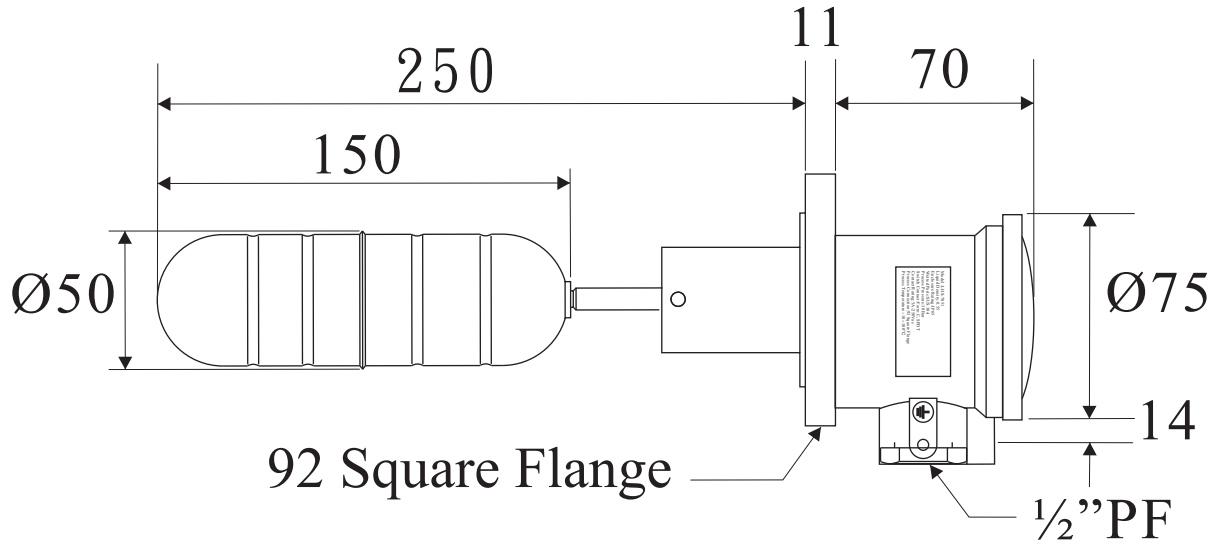




LHS Series



92x92 Square Flange

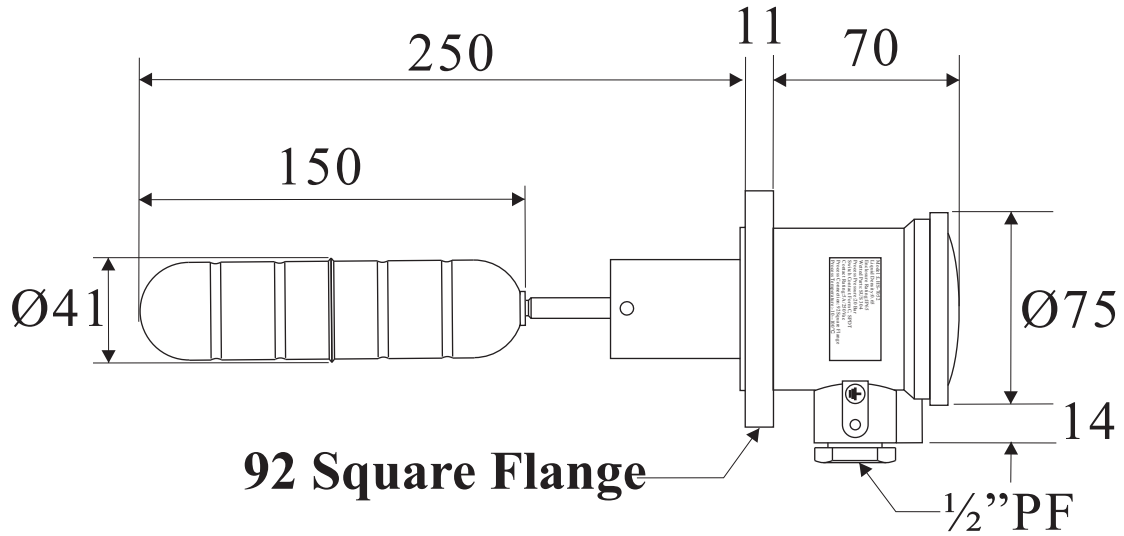


LHS-7051

Specifications

Technical Data:

Model No.	LHS-7051
Process Connection:	<input type="checkbox"/> 92 x 92 Square Flange
Float Dimension & Material:	Ø50x150 , SUS 316
Float Specific Gravity(S. G.)	0.55
Process Pressure Maxi.:	30 Bar
Switch Contact & Contact Rating:	Form C, SPDT , 5A/250Vac
Process Operation Temperature	-10--100°C
Material of Wetted Parts:	SUS 304
Enclosure Rating (IP):	IP 65



LHS-7052

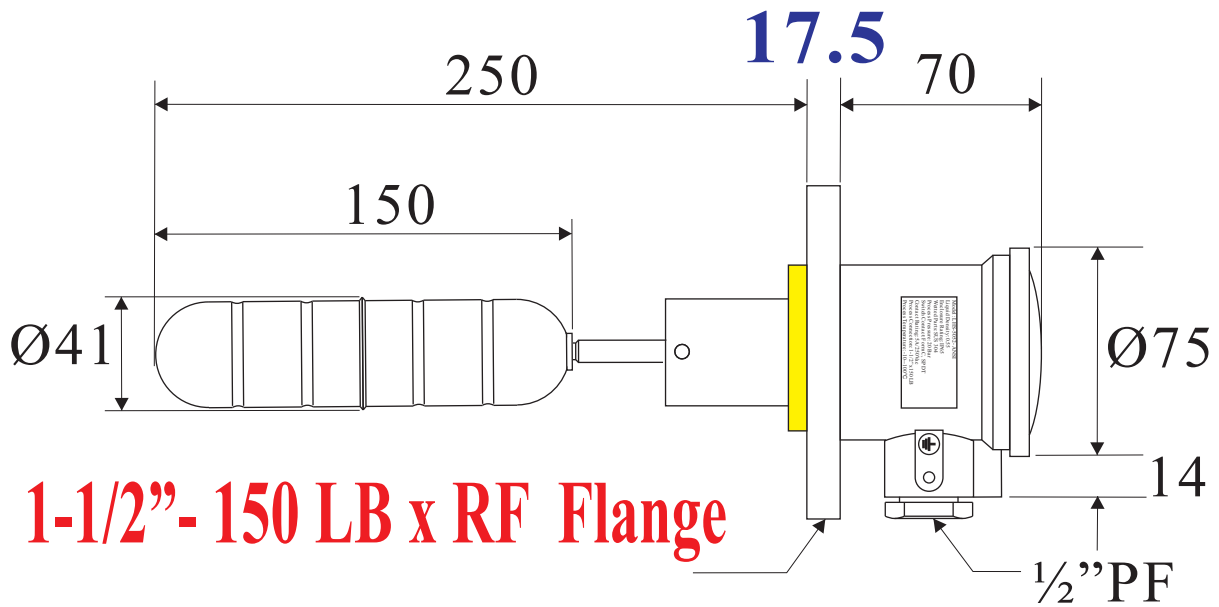
Specifications

Technical Data:

Model No.	LHS-7052
Process Connection:	<input type="checkbox"/> 92 x 92 Square Flange
Float Dimension & Material:	Ø41x150 , SUS 316
Float Specific Gravity(S. G.)	0.65
Process Pressure Maxi. :	20 Bar
Switch Contact & Contact Rating:	Form C, SPDT , 5A/250Vac
Process Operation Temperature:	-10--100°C
Material of Wetted Parts:	SUS 304
Enclosure Rating (IP):	IP 65



ANSI---1-1/2”- 150 LB x RF Flange



LHS-5052-ANSI

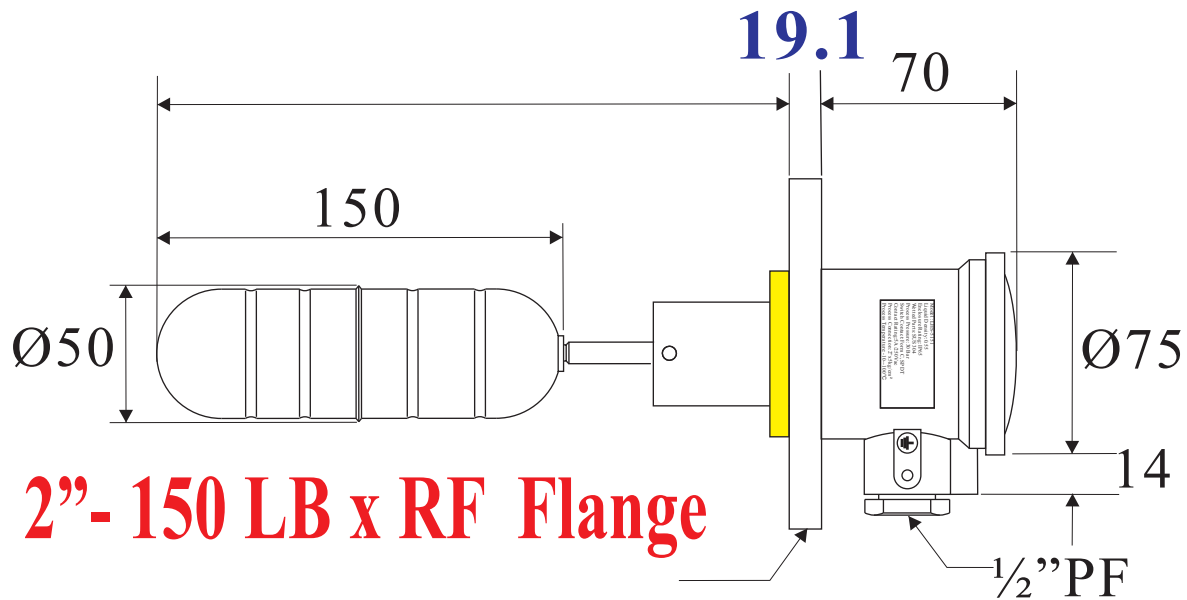
Specifications

Technical Data:

Model	LHS-5052-ANSI
Process Connection:	1-1/2”-150 LBxRF Flange
Float Dimension & Material:	Ø41x150 ,SUS 316
Float Specific Gravity(S. G.)	0.55
Process PressureMaxi. :	20 Bar
Switch Contact & Contact Rating:	Form C, SPDT , 5A/250Vac
Process Operation Temperature:	-10--100°C
Material of Wetted Parts:	SUS 304
Enclosure Rating (IP):	IP 65



ANSI— 2”- 150 LB x RF Flange



LHS-5151-ANSI

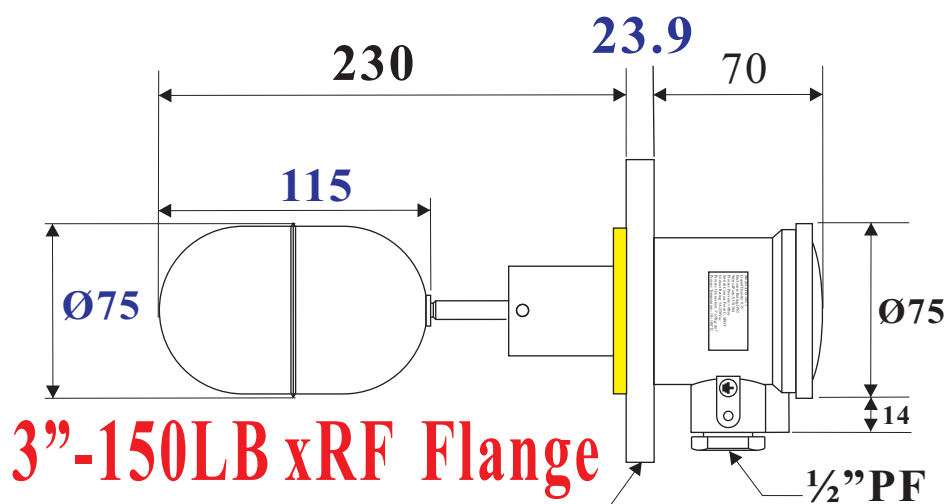
Specifications

Technical Data:

Model	LHS-5151-ANSI
Process Connection:	2”-150LBxRF Flange
Float Dimension & Material:	Ø50x150,SUS 316
Float Specific Gravity(S. G.)	0.55
Process Pressure Maxi. :	30 Bar
Switch Contact & Contact Rating:	Form C, SPDT , 5A/250Vac
Process Operation Temperature	-10--100°C
Material of Wetted Parts:	SUS 304
Enclosure Rating (IP):	IP 65



ANSI— 3”- 150 LB x RF Flange



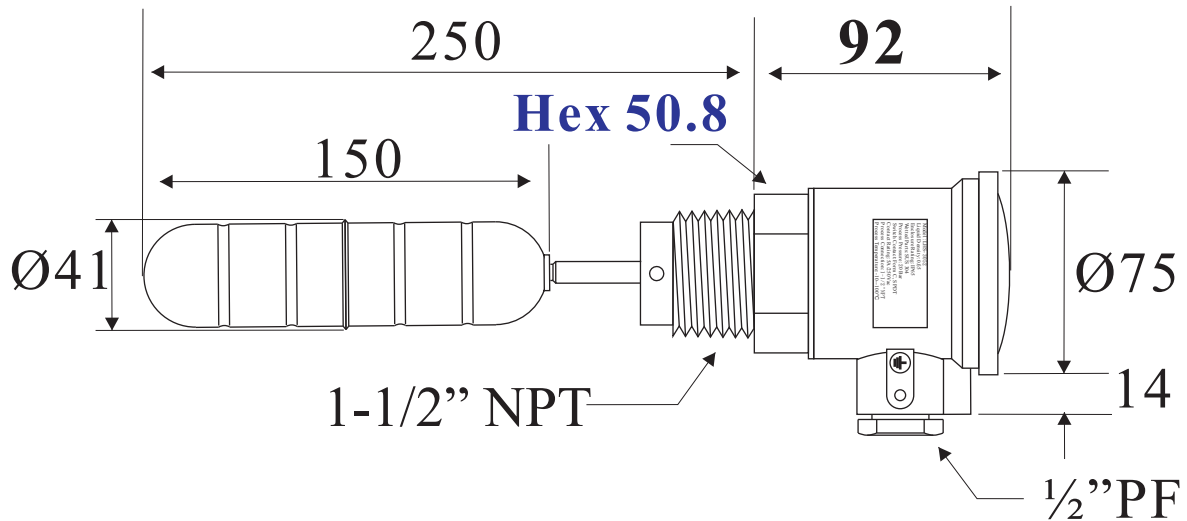
LHS-5653-ANSI

Specifications

Technical Data:	
Model	LHS-5653-ANSI
Process Connection:	3”-150LB x RF Flange
Float Dimension & Material:	Ø75x115, SUS 316
Float Specific Gravity(S. G.)	0.35
Process Pressure Maxi. :	10 Bar
Switch Contact & Contact Rating:	Form C, SPDT, 5A/250Vac
Process Operation Temperature	-10--100°C
Material of Wetted Parts:	SUS 304
Enclosure Rating (IP):	IP 65



ANSI— 1-1/2” NPT Process Plug



LHS-3052-ANSI

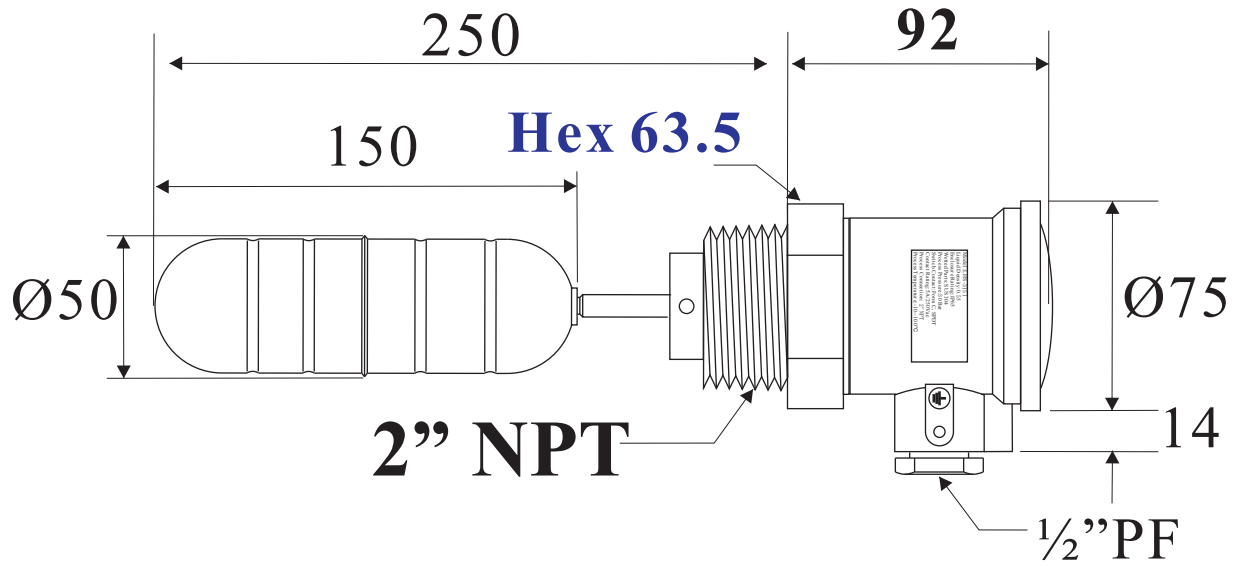
Specifications

Technical Data:

Model	LHS-3052-ANSI
Process Connection:	1-1/2” NPT Plug
Float Dimension & Material:	Ø41x150 ,SUS 316
Float Specific Gravity(S. G.)	0.65
Process Pressure Maxi. :	20 Bar
Switch Contact & Contact Rating:	Form C, SPDT , 5A/250Vac
Process Operation Temperature	-10--100°C
Material of Wetted Parts:	SUS 304
Enclosure Rating (IP):	IP 65



ANSI— 2” NPT Process Plug



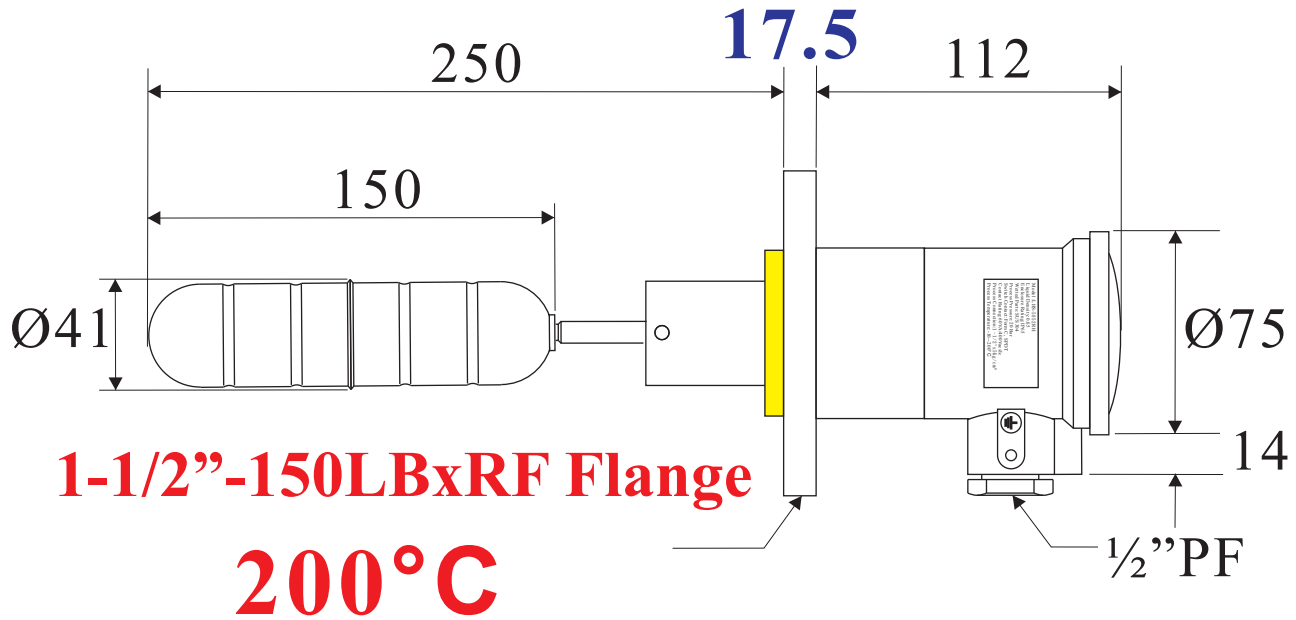
LHS-3151-ANSI

Specifications

Technical Data:	
Model	LHS-3151
Process Connection:	2” NPT Plug
Float Dimension & Material:	Ø50x150,SUS 316
Float Specific Gravity(S. G.)	0.55
Process Pressure Maxi. :	30 Bar
Switch Contact & Contact Rating:	Form C, SPDT, 5A/250Vac
Process Operation Temperature :	-10--100°C
Material of Wetted Parts:	SUS 304
Enclosure Rating (IP):	IP 65



200°C ANSI x 150LB R.F.



LHS-5052RH-ANSI

Specifications

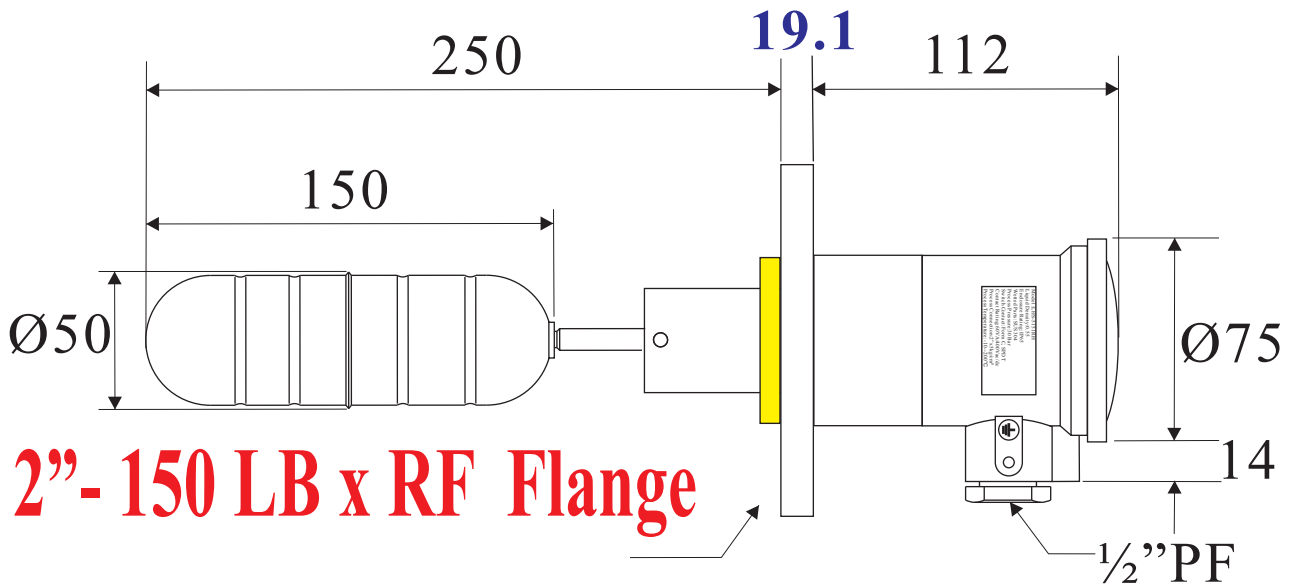
Technical Data:

Model	LHS-5052RH-ANSI
Process Connection:	1-1/2"-150LB x RF Flange
Float Dimension & Material:	Ø41x150 ,SUS 316
Float Specific Gravity(S. G.)	0.65
Process Pressure Maxi. :	20 Bar
Switch Contact & Contact Rating:	Form C, SPDT, 60VA/400 Vac/dc
Process Operation Temperature :	-10--200°C
Material of Wetted Parts:	SUS 304
Enclosure Rating (IP):	IP 65



200°C

ANSI x 150LB R.F.



LHS-5151RH-ANSI

Specifications

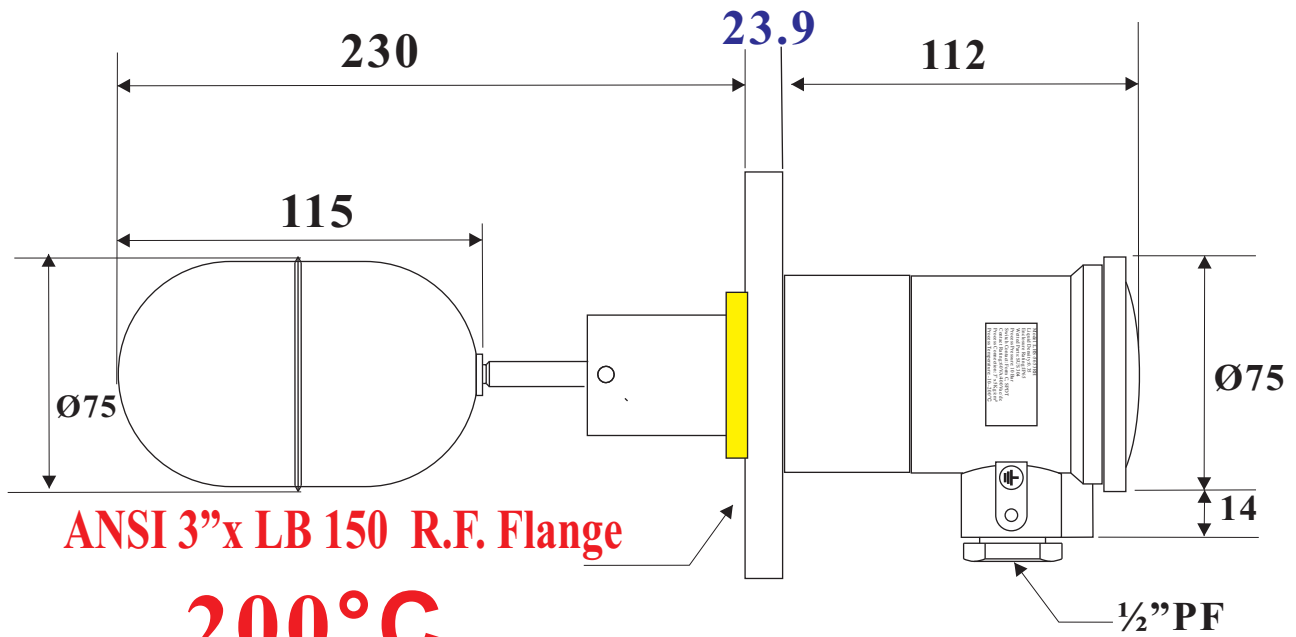
Technical Data:

Model	LHS-5151RH-ANSI
Process Connection:	2"- 150 LB x RF Flange
Float Dimension & Material:	Ø50x150,SUS 316
Float Specific Gravity(S. G.)	0.55
Process Pressure Maxi. :	30 Bar
Switch Contact & Contact Rating:	Form C, SPDT , 60VA/400Vac/dc
Process Operation Temperature	-10--200°C
Material of Wetted Parts:	SUS 304
Enclosure Rating (IP):	IP 65



200°C

ANSI x 150LB R.F.



LHS-5653RH-ANSI

Specifications

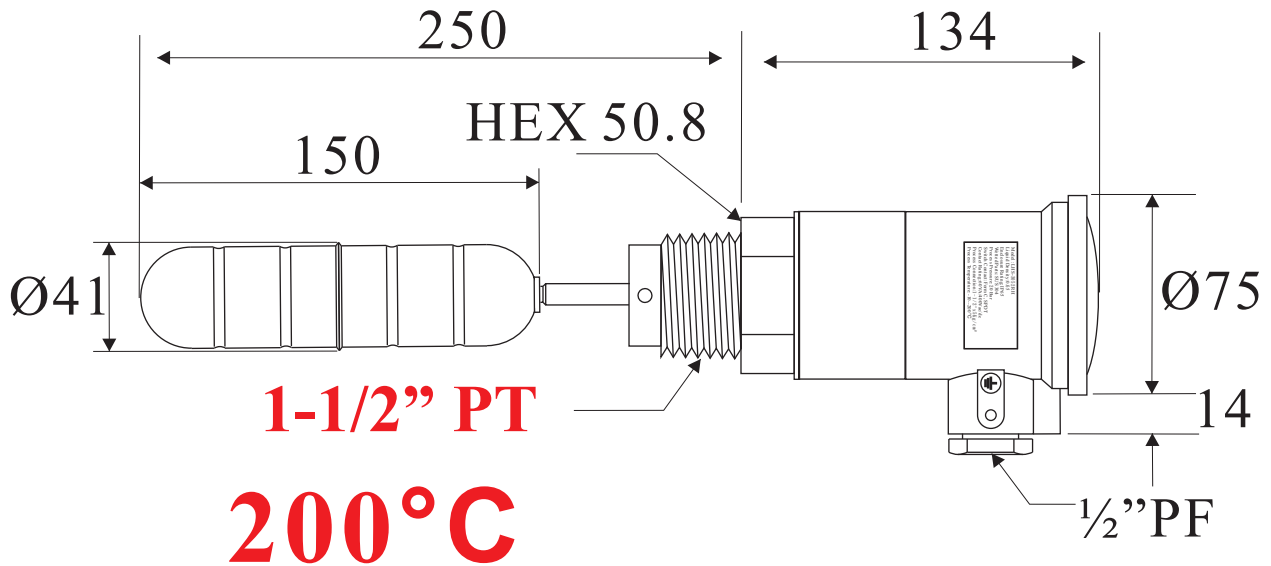
Technical Data:

Model	LHS-5653RH-ANSI
Process Connection:	3" x5Kg/cm² Flange
Float Dimension & Material:	Ø75x115, SUS 316
Float Specific Gravity(S. G.)	0.35
Process Pressure Maxi. :	10 Bar
Switch Contact & Contact Rating:	Form C, SPDT, 60VA/400Vac/dc
Process Operation Temperature	-10--200°C
Material of Wetted Parts:	SUS 304
Enclosure Rating (IP):	IP 65



200°C

1-1/2" PT-JIS



LHS-3052RH-JIS

Specifications

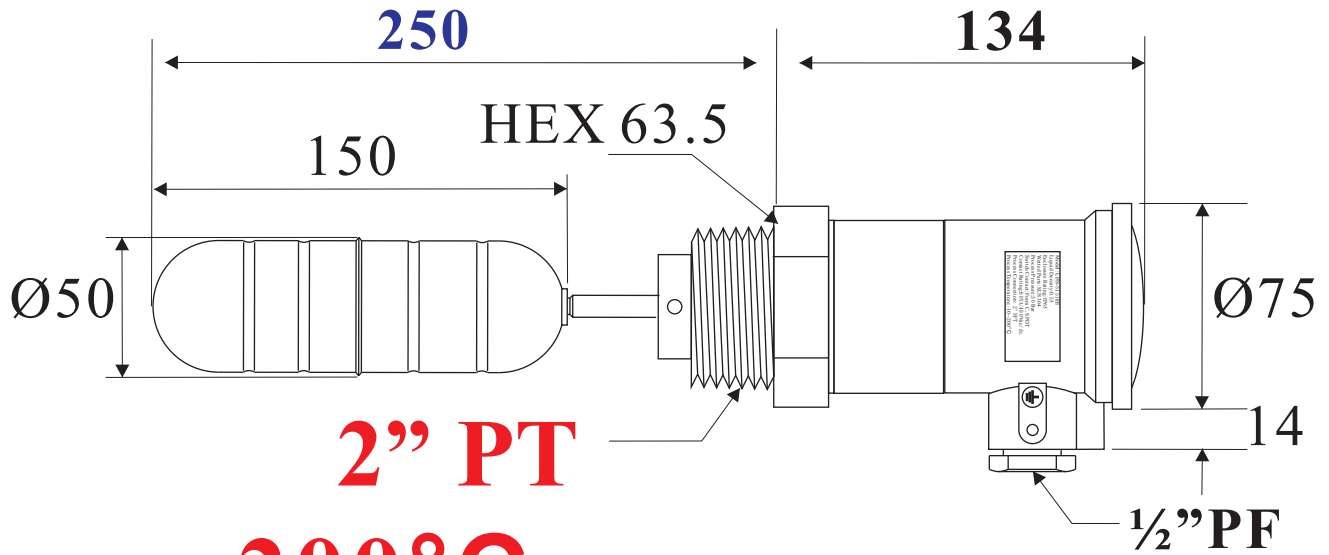
Technical Data:

Model	LHS-3052RH-JIS
Process Connection:	1-1/2" x 5Kg/cm² Plug
Float Dimension & Material:	Ø41x150, SUS 316
Float Specific Gravity (S. G.)	0.65
Process Pressure Maxi. :	20 Bar
Switch Contact & Contact Rating:	Form C, SPDT, 60VA/400Vac/dc
Process Operation Temperature	-10--200°C
Material of Wetted Parts:	SUS 304
Enclosure Rating (IP):	IP 65



200°C

2" PT- JIS



LHS-3151RH-JIS

Specifications

Technical Data:

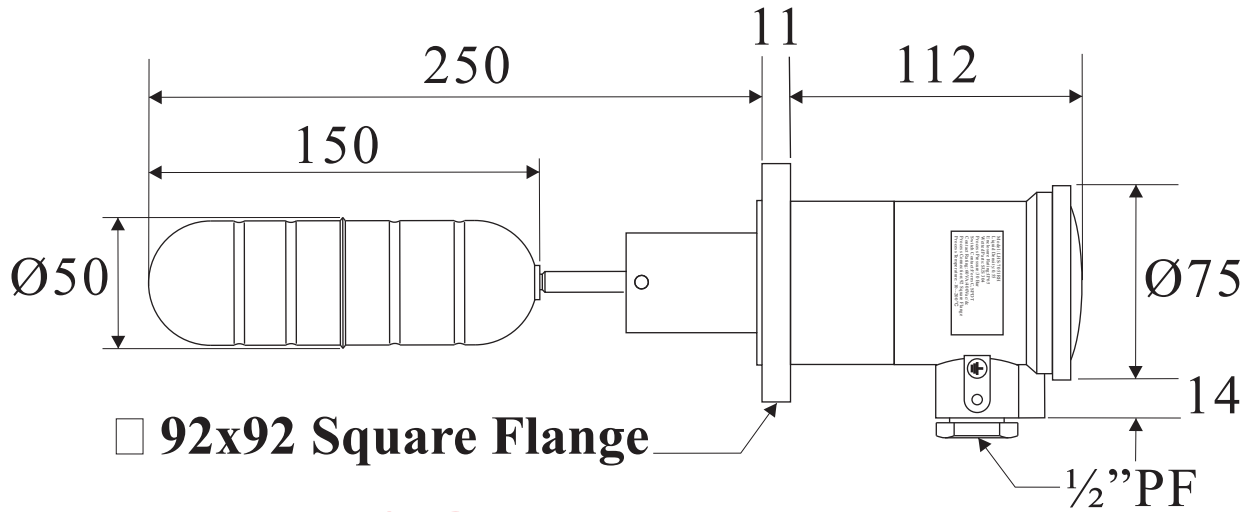
Model	LHS-3151RH-JIS
Process Connection:	2" NPT Plug
Float Dimension & Material:	Ø50x150,SUS 316
Float Specific Gravity(S. G.)	0.55
Process Pressure Maxi. :	30 Bar
Switch Contact & Contact Rating:	Form C, SPDT, 60VA/400Vac/dc
Process Operation Temperature	-10--200°C
Material of Wetted Parts:	SUS 304
Enclosure Rating (IP):	IP 65



200°C



92x92 Square Flange



200°C

LHS-7051RH

Specifications

Technical Data:

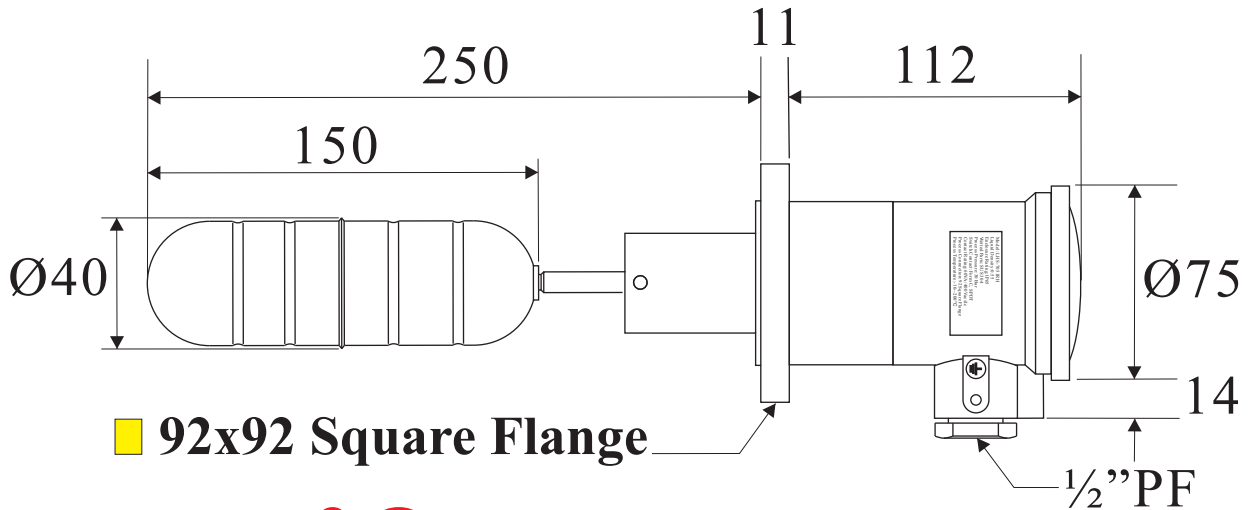
Model	LHS-7051RH
Process Connection:	□ 92 x 92 Square Flange
Float Dimension & Material:	Ø50x150,SUS 316
Float Specific Gravity(S. G.)	0.55
Process Pressure Maxi. :	30 Bar
Switch Contact & Contact Rating:	Form C, SPDT, 60VA/400Vac/dc
Process Operation Temperature	-10--200°C
Material of Wetted Parts:	SUS 304
Enclosure Rating (IP):	IP 65



200°C



92x92 Square Flange



200°C

LHS-7052RH

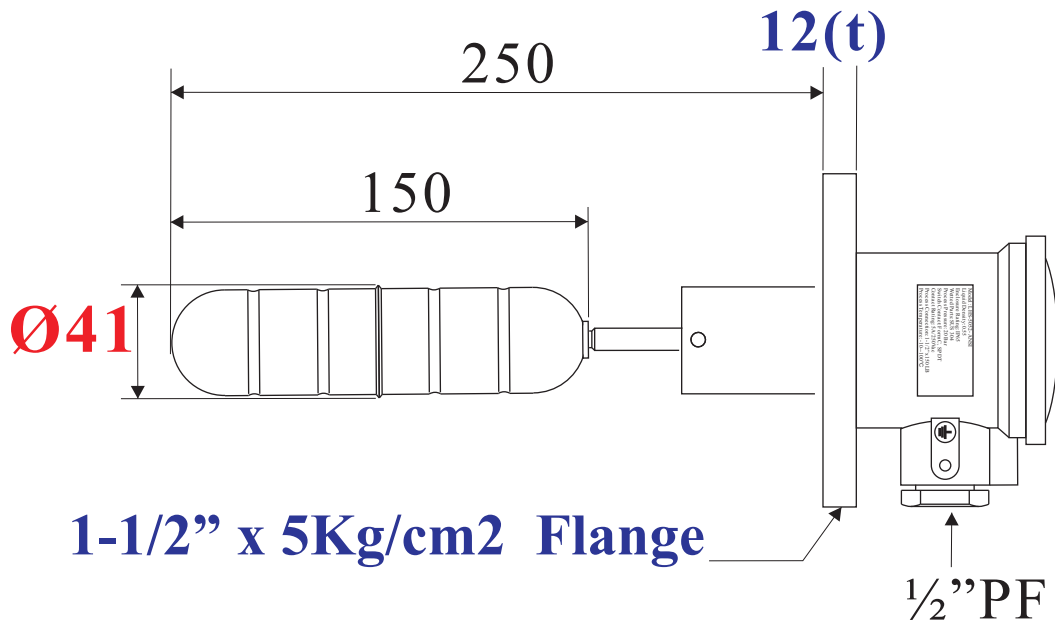
Specifications

Technical Data:

Model	LHS-7052RH
Process Connection:	<input type="checkbox"/> 92 x 92 Square Flange
Float Dimension & Material:	Ø50x150,SUS 316
Float Specific Gravity(S. G.)	0.65
Process Pressure Maxi. :	20 Bar
Switch Contact & Contact Rating:	Form C, SPDT, 60VA/400Vac/dc
Process Operation Temperature	-10--200°C
Material of Wetted Parts:	SUS 304
Enclosure Rating (IP):	IP 65



JIS- 1-1/2" x 5Kg/cm² Flange



LHS-5052-JIS

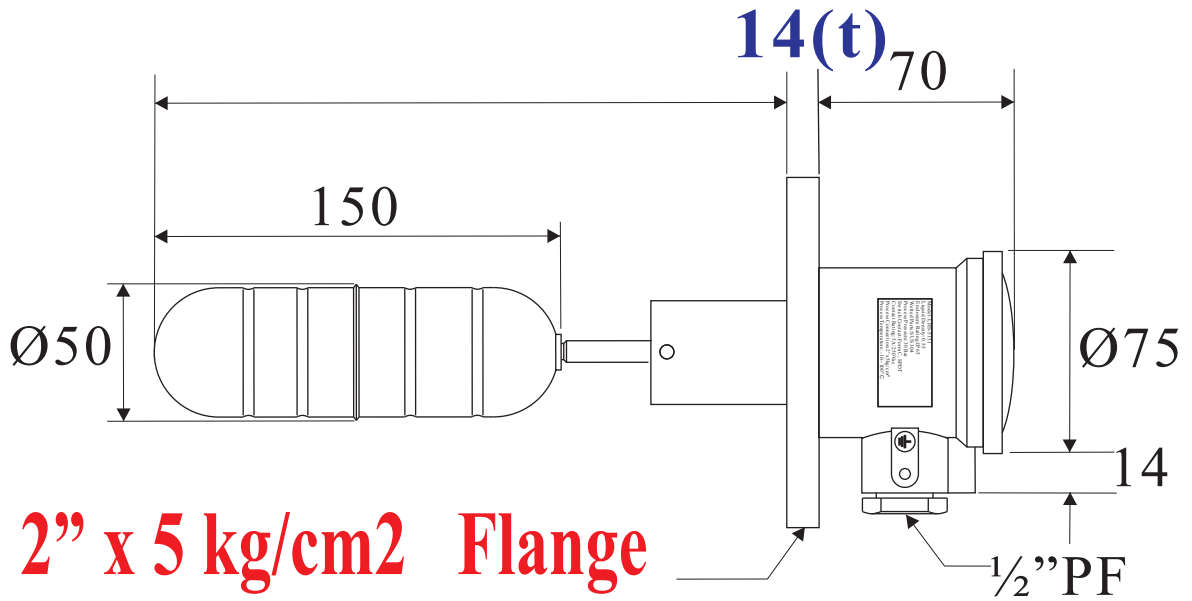
Specifications

Technical Data:

Model	LHS-5052
Process Connection:	1-1/2" x 5Kg/cm² Flange
Float Dimension & Material:	Ø41x150 ,SUS 316
Float Specific Gravity(S. G.)	0.65
Process Pressure Maxi. :	20 Bar
Switch Contact & Contact Rating:	Form C, SPDT, 60VA/400 Vac/dc
Process Operation Temperature :	-10--200°C
Material of Wetted Parts:	SUS 304
Enclosure Rating (IP):	IP 65



JIS---2” x 5 kg/cm2 Flange



LHS-5151-JIS

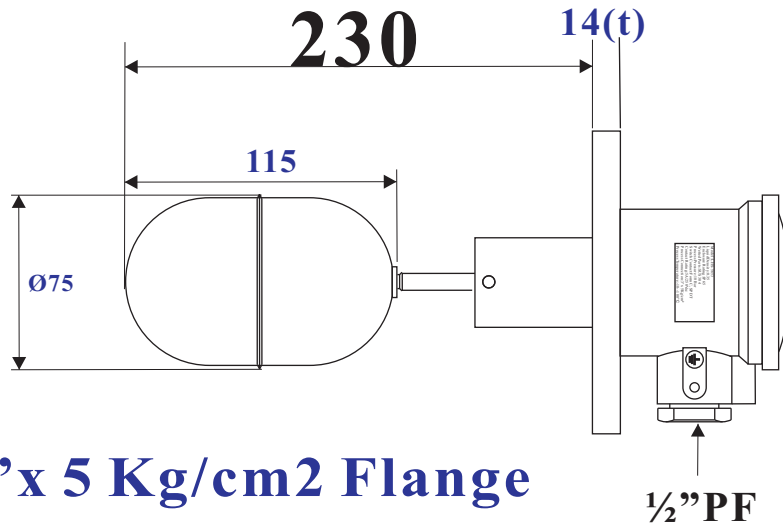
Specifications

Technical Data:

Model	LHS-5151-JIS
Process Connection:	2” x 5 kg/cm2 Flange
Float Dimension & Material:	Ø50x150,SUS 316
Float Specific Gravity(S. G.)	0.55
Process Pressure Maxi. :	30 Bar
Switch Contact & Contact Rating:	Form C, SPDT , 60VA/400Vac/dc
Process Operation Temperature	-10--200°C
Material of Wetted Parts:	SUS 304
Enclosure Rating (IP):	IP 65



JIS- 3" x 5 Kg/cm² Flange



LHS-5653-JIS

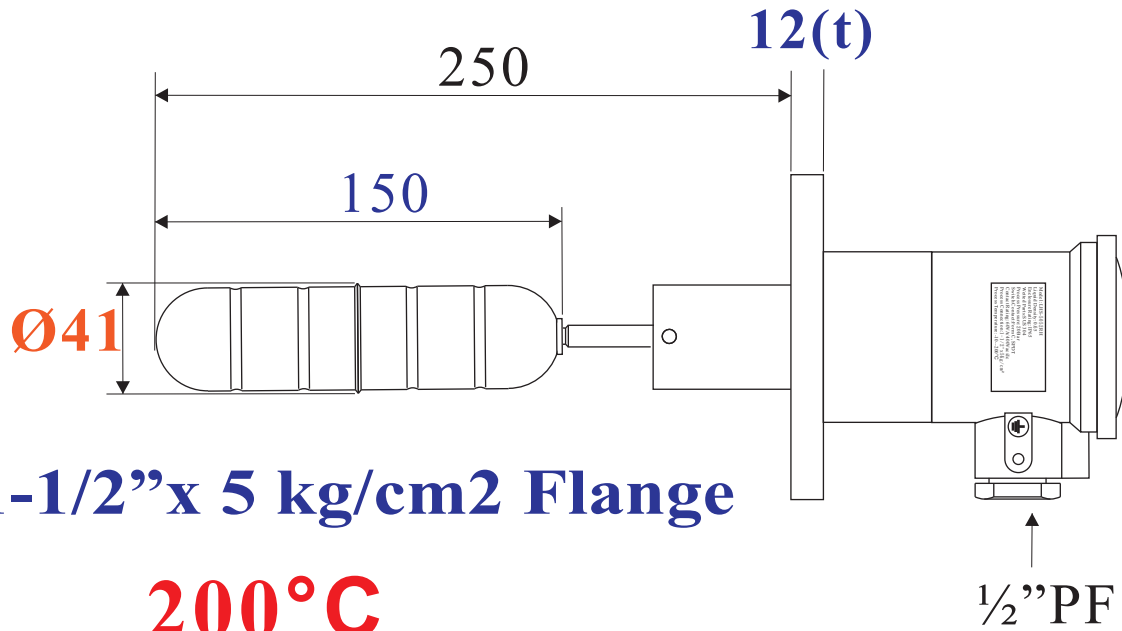
Specifications

Technical Data:

Model	LHS-5653-JIS
Process Connection:	3" x 5Kg/cm² Flange
Float Dimension & Material:	Ø75x115, SUS 316
Float Specific Gravity(S. G.)	0.35
Process Pressure Maxi. :	10 Bar
Switch Contact & Contact Rating:	Form C, SPDT, 60VA/400Vac/dc
Process Operation Temperature	-10--200°C
Material of Wetted Parts:	SUS 304
Enclosure Rating (IP):	IP 65



JIS--1-1/2”x 5 kg/cm2 Flange



LHS-5052RH-JIS

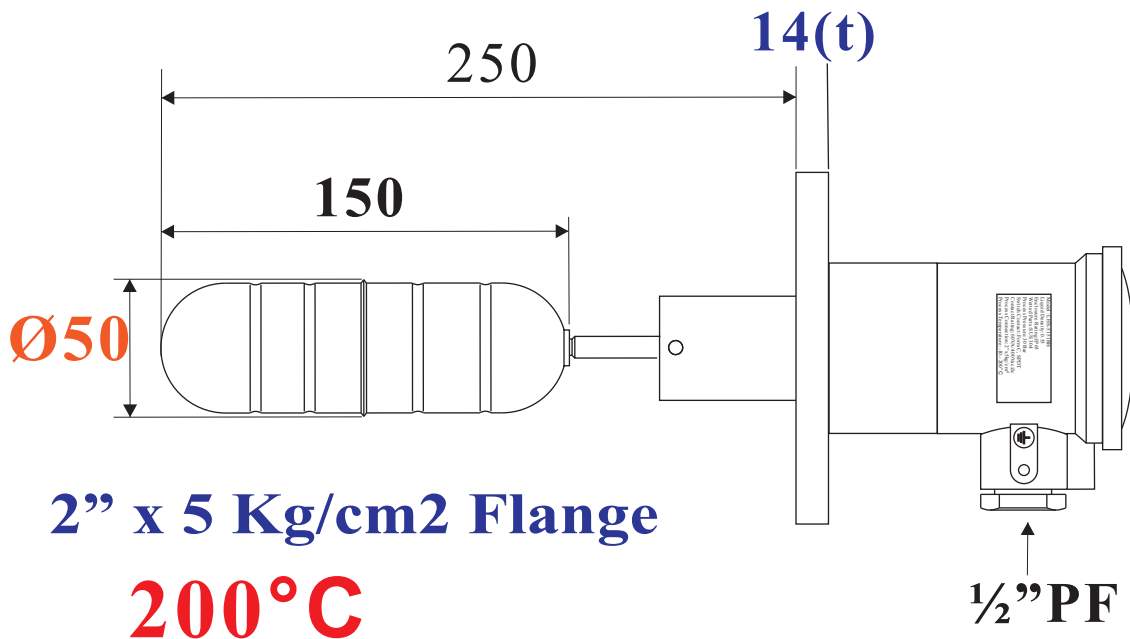
Specifications

Technical Data:

Model	LHS-5052RH-JIS
Process Connection:	1-1/2” x 5 Kg/cm2 Flange
Float Dimension & Material:	Ø41x150 ,SUS 316
Float Specific Gravity(S. G.)	0.65
Process Pressure Maxi. :	20 Bar
Switch Contact & Contact Rating:	Form C, SPDT, 60VA/400 Vac/dc
Process Operation Temperature :	-10--200°C
Material of Wetted Parts:	SUS 304
Enclosure Rating (IP):	IP 65



JIS— 2” x 5 Kg/cm² Flange



2” x 5 Kg/cm² Flange

200°C

LHS-5151RH-JIS

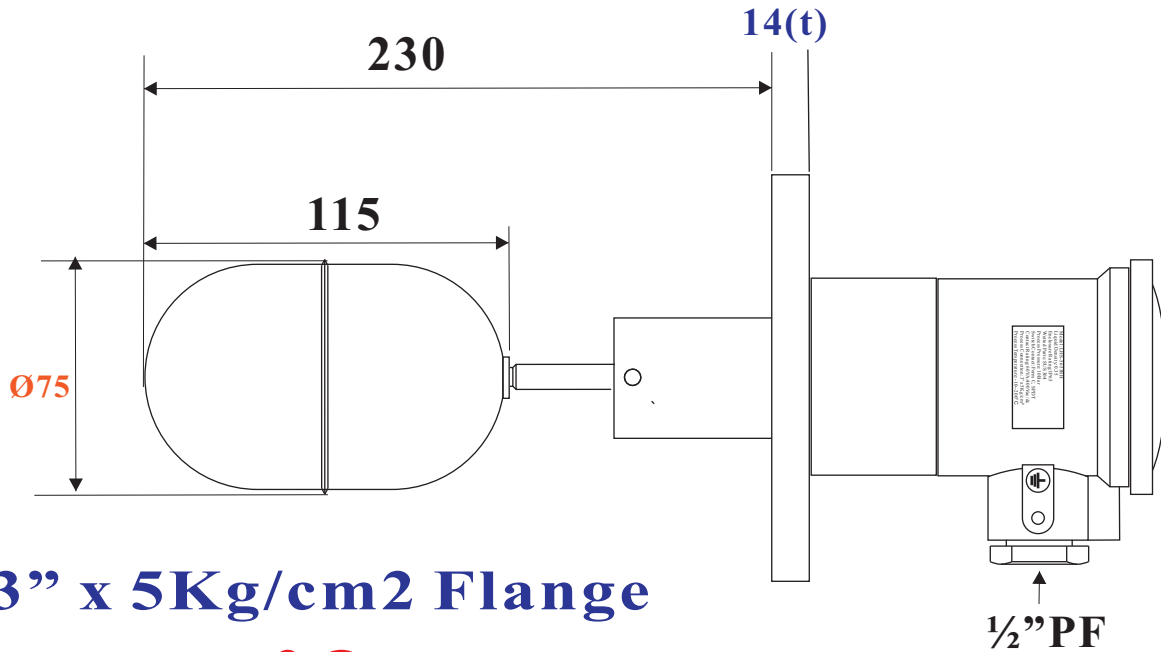
Specifications

Technical Data:

Model	LHS-5151RH-JIS
Process Connection:	2” x 5 Kg/cm² Flange
Float Dimension & Material:	Ø50x150,SUS 316
Float Specific Gravity(S. G.)	0.55
Process Pressure Maxi. :	30 Bar
Switch Contact & Contact Rating:	Form C, SPDT, 60VA/400Vac/dc
Process Operation Temperature	-10--200°C
Material of Wetted Parts:	SUS 304
Enclosure Rating (IP):	IP 65



JIS--3" x 5Kg/cm² Flange



3" x 5Kg/cm² Flange

200°C

LHS-5653RH-JIS

Specifications

Technical Data:

Model	LHS-5653RH-JIS
Process Connection:	3" x5Kg/cm² Flange
Float Dimension & Material:	Ø75x115, SUS 316
Float Specific Gravity(S. G.)	0.35
Process Pressure Maxi. :	10 Bar
Switch Contact & Contact Rating:	Form C, SPDT, 60VA/400Vac/dc
Process Operation Temperature	-10--200°C
Material of Wetted Parts:	SUS 304



ECEFast
Electro Chemical Engineering Pty Ltd
A.B.N. 42 004 182 772

For information on products or to locate your nearest
Distributor contact us on:

WWW.ECEFAST.COM.AU AUSTRALIA 1-800-811-818
SALES@ECEFAST.COM.AU NEW ZEALAND 0-800-ECEFAST