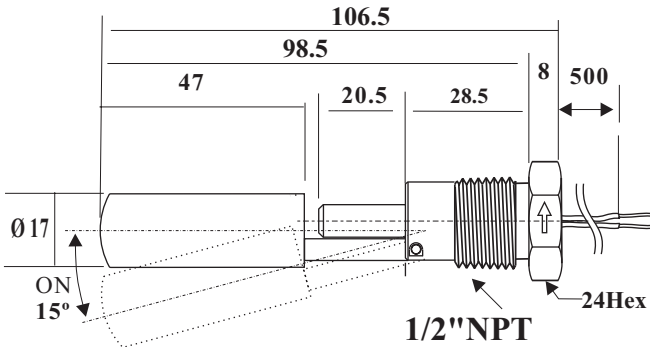




1/2" NPT Plug External Mounting



LKS-3310
(FDMH16)



Technical Data:

Specifications

Model	LKS-3310	LKS-3310H
Operating Pressure	10 bar	
Stem Material	SUS 304	
Float Material	SUS 316L	
Float Specific Gravity(S. G.)	0.7	
Operating Temperature	-40~120°C	-40~180°C
Mounting	1/2" NPT	
Electrical Data:		
Maximum Switching Voltage	300Vac or 350Vdc	
Maximum Switching Current	0.5Aac or 0.7Adc	
Maximum Carry Current	2.5A	
Contact Rating	50W(70VA)	
Switch Mode	N.O. /N.C. On Dry Condition	
Electrical Termination	UL 3266 AWG 22 XLPE Lead Wire	UL 1332 AWG 22 FEP Lead Wire