



Rotary Paddle Level Switch



INTRODUCTION

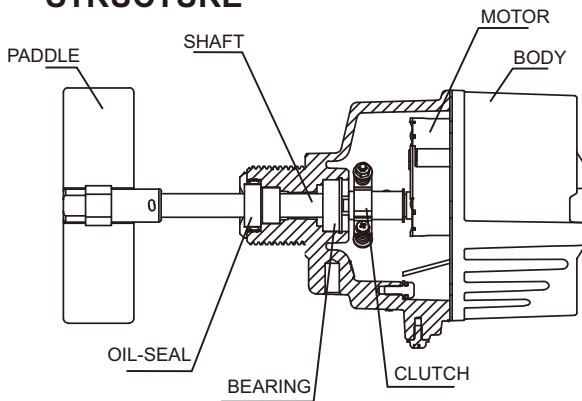
WORKING PRINCIPLE

The purpose of the rotary paddle level switch is to detect the presence of solid/powdery material in most kinds of tanks, bins and containers. The unit is usually located through a bin wall at the top, middle or low level of a bin. During normal operation (no material present) a synchronous motor rotates the paddle at RPM. When this paddle rotation is impeded by material, surrounding the paddle, motor will stall and cause the Micro-switch to change state (indicating an alarm or control).

APPLICATIONS

- Plastics and synthetics
- Chemicals and fertilizer
- Pharmaceuticals
- Food and beverage,
- Agriculture and fodder mills/depots
- Cement as well as ceramics
- Power plants
- Various incinerators

STRUCTURE



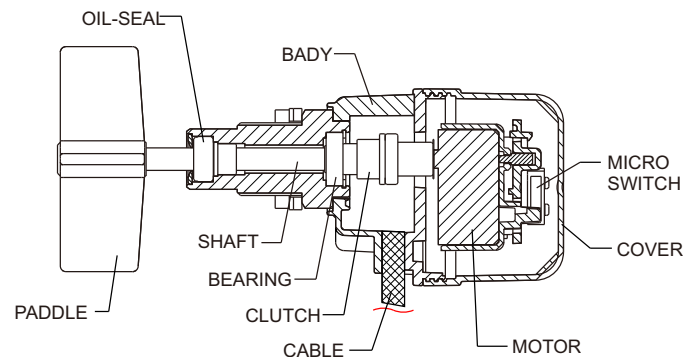
STANDARD TYPE SEX5

FEATURES

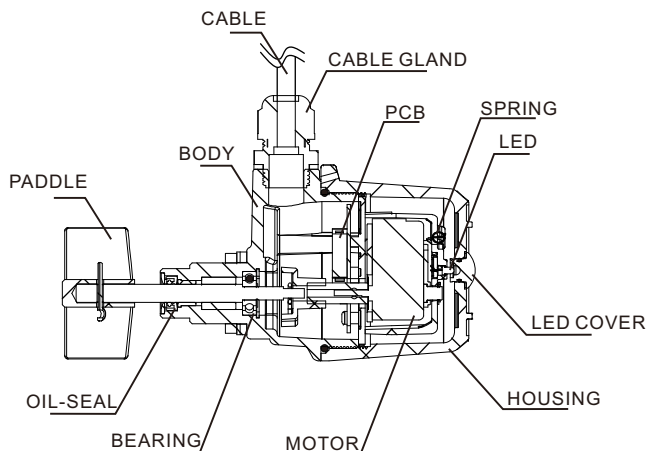
- Rugged sealing ring prevents dust from infiltrating the housing body along the shaft.
- Adjustable torque.
If the rotary paddle encounters overloading, the motor will automatically shut down the motor to prevent damage to the inner mechanisms and extend motor life.
- Very suitable for small tanks and low density materials
- Adjustable and extendible shaft models available
- A wide variety of paddles are available

BENEFITS

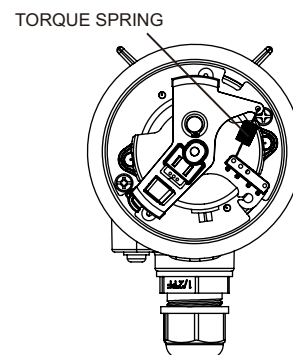
- Airtight sealed device.
- Outdoor and strenuous environment application
- Stable and reliable performance.
- Lightweight and easy to install
- Practically designed to allow maintenance, checks and replacement
- Not necessary to remove the complete set from the tank.



MINI TYPE SEX4



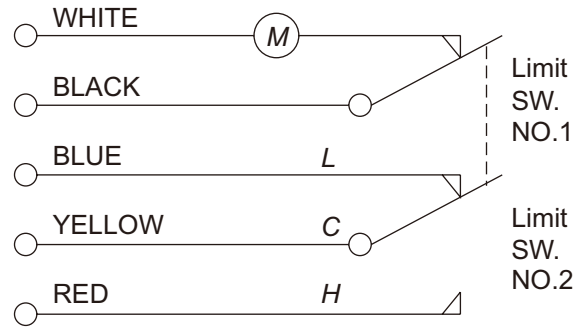
MINI TYPE SEX3



WORKING PRINCIPLE & TORQUE ADJUSTING

CONTROL SWITCH WORKING PRINCIPLE

1. A synchronous turning motor indicates the tank or container's material isn't obstructing the paddles, C & L [COM & NC] are connected.
2. When the material is obstructing the paddles, C&L [COM & NC] are disconnected, C&H [COM & NO] are connected and the motor's current is cut off.
3. When the material drops away from the paddles and the motor starts again C & L [COM & NC] connect and the cycle has begun once again.



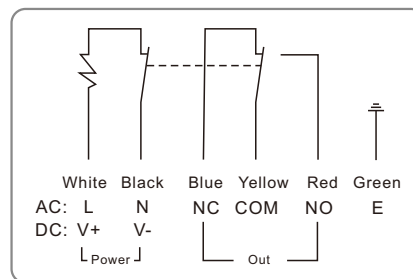
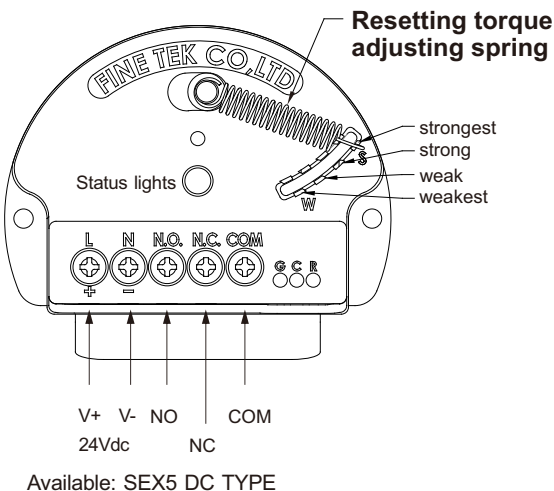
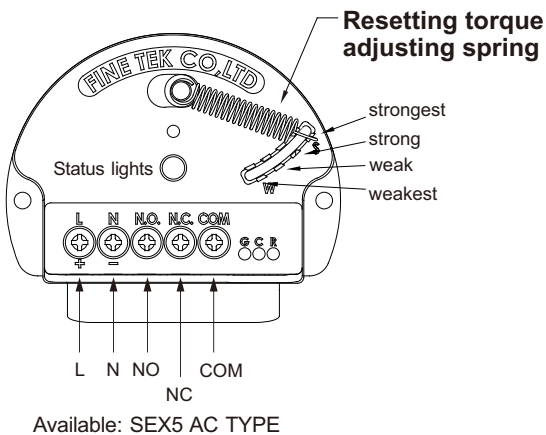
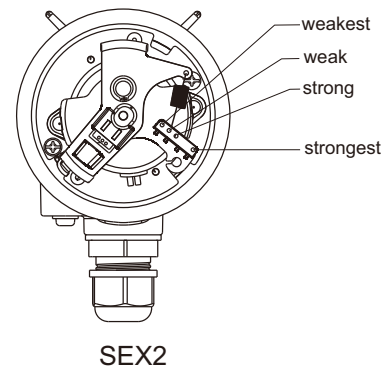
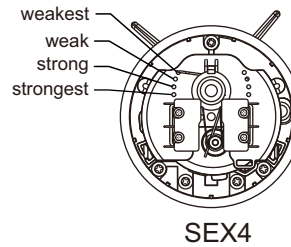
TORQUE ADJUSTING MECHANISM AND WIRING

The torque spring is applied to adjust the shaft output torque. Default settings are "weak" and can be adjusted to the customer's target based on the tank contents and S.G. (special gravity) of the material.

Higher S.G. materials require stronger torque settings. Start with high settings and slowly release the torque force until the appropriate setting is found.

- Do not tamper with the spring as it may cause the Rotary Paddle to malfunction.

Spring adjusting hole



GENERAL TYPE - SEX5

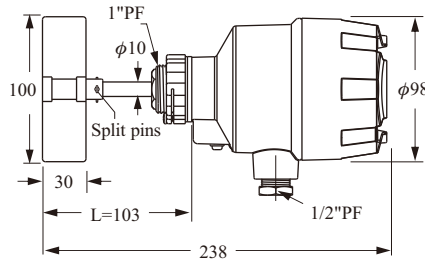
- **Power source** : (A)110Vac,(B)220Vac,(C)240Vac, (D)24Vac, 50/60Hz (E)24Vdc
- **Power consumption** : 3W
- **Contact capacity** : SPDT, 5A/250Vac
- **Rotary speed** : 1 R.P.M.
- **Insulation test voltage** : 2500V
- **Connection** : 1"PF screw or JIS 2-1/2" x 5kg/cm²
- **Protection/ material** : IP65 / ADC-12
- **Conduit** : 1/2"PF
- **Material density** : 0.5 g/cm³

SCREW TYPE

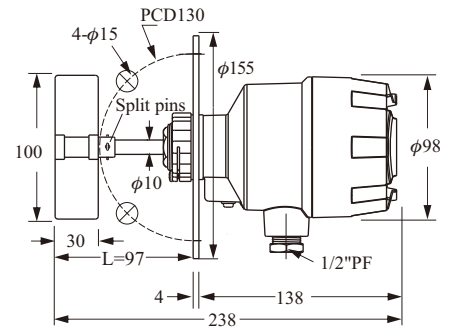
SE110 Series

- Horizontal mounting
- Operation Temperature (-20°C ~ 70°C)
- Weight: 1.2 kg

SE110 Series



SE111 Series



FLANGE TYPE

SE111Series

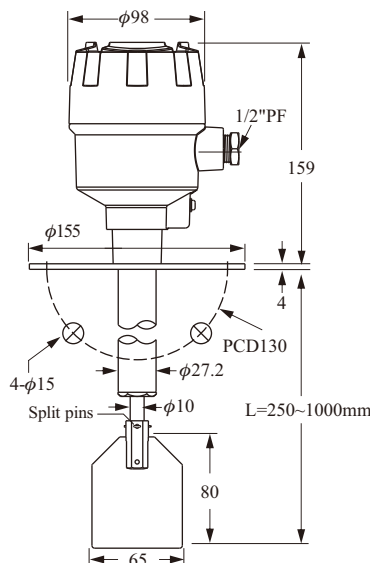
- Horizontal mounting
- Operation Temperature (-20°C ~ 70°C)
- Weight: 1.7 kg

SHAFT PROTECTIVE TUBE TYPE

SE120 Series

- Horizontal /Vertical mounting
- Operation Temperature (-20°C ~ 70°C)
- Weight: 1.2 kg
- Standard Length:
 - L--250mm (2.2 kg)
 - L--500mm (2.5 kg)
 - L--750mm (2.8 kg)
- Customized lengths available

SE120 Series

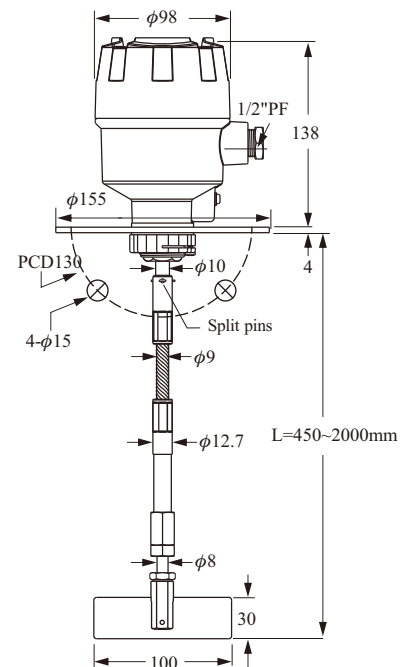


SE130 Series

SHAFT LENGTH ADJUSTABLE TYPE

SE130 Series

- Vertical mounting
- Operation Temperature (-20°C ~ 70°C)
- Standard Length:
 - L- 460~630mm (2.5 kg)
 - L- 650~1000mm (2.8 kg)
 - L- 750~1200mm (3.0 kg)
- Customized lengths available



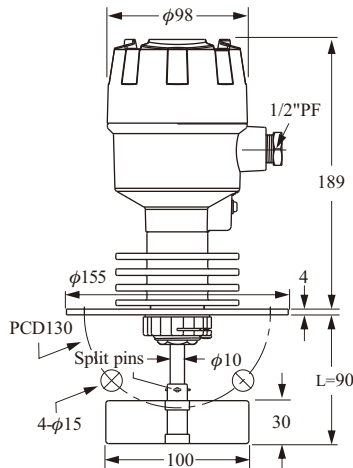
GENERAL TYPE - SEX5

HI-TEMP TYPE

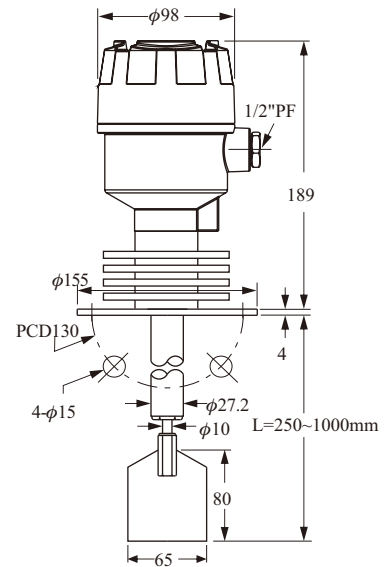
SE140 Series

- Horizontal mounting
- Temp. (-20°C ~ 200°C)
- Weight: 2.1 kg

SE140 Series



SE141 Series



HI-TEMP TYPE

PROTECTIVE TUBE TYPE

SE141 Series

- Horizontal /Vertical mounting
- Operation Temperature (-20°C ~ 200°C)
- Standard Length (option):
 - L--250mm (2.6 kg)
 - L--500mm (2.9 kg)
 - L--750mm (3.2 kg)
- Special length is made by order

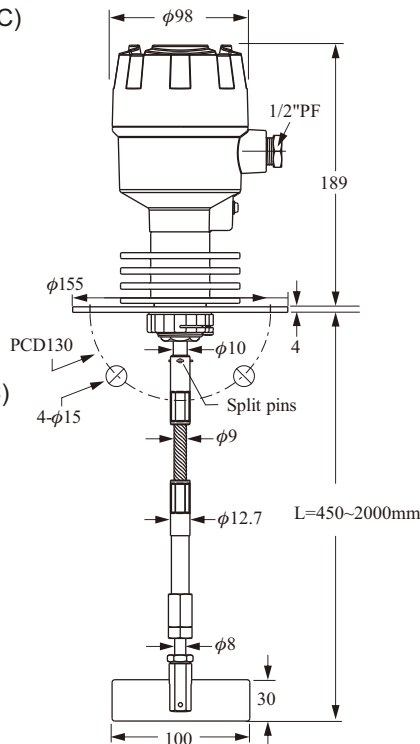
HI-TEMP SHAFT

LENGTH ADJUSTABLE TYPE

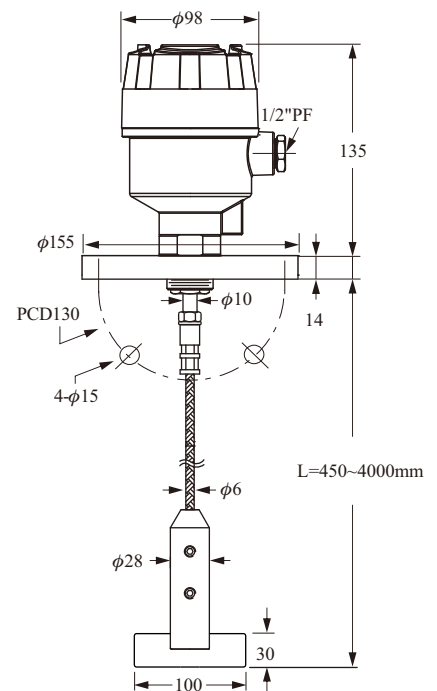
SE146 Series

- Vertical mounting
- Operation Temperature (-20°C ~ 200°C)
- Standard Length (option):
 - L- 450~630mm (3 kg)
 - L- 650~1000mm (3.3 kg)
 - L- 750~1200mm (3.5 kg)
- Special length is made by order

SE146 Series



SE160 Series

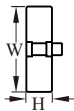
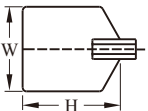
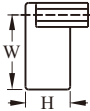
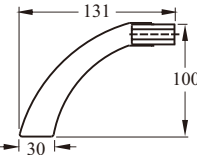
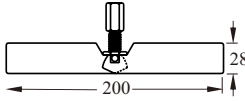
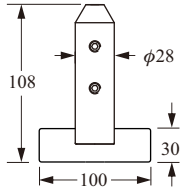
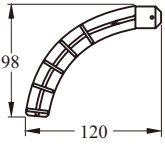
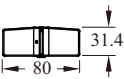


CABLE WIRE TYPE

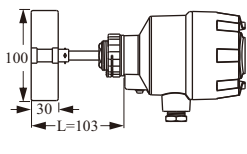
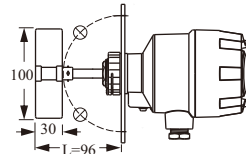
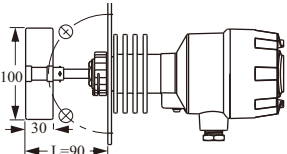
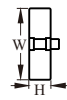
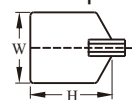
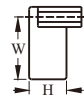
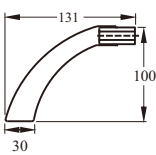
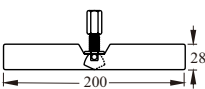
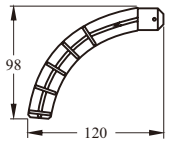
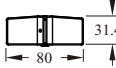
SE160 Series

- Vertical mounting
- Operation Temperature (-20°C ~ 70°C)
- Standard Length (option):
 - L-- 450mm (2.5 kg)
 - L-- 650mm (2.8 kg)
 - L-- 750mm (3 kg)
- Special length is made by order

NEW / OLD PADDLE MODEL COMPARISON TABLE

New	Figure	Dimension(WxH)	Old
B	Rectangular shaped type 	100x30	A
C	Shovel shaped type 	65x80	B
D		65x120	C
E		80x80	D
F	Rectangular type, one sided 	50x30	E
G	Scimitar shaped type 	100x131	F
H	Folding type 	200x28	J
K	Weights type 	100x108	X
N	Scimitar shaped type(PC) 	98x120	
P	Cross bladed type(PC) 	80x32	

PROBE LENGTH LIST FOR GENERAL TYPE (WITH DIFFERENT PADDLES)

Product model		SE110	SE111	SE140
Paddle model				
Rectangular shaped type 	100x30	L=103	L=96	L=90
Shovel shaped type 	65x80	L=153	L=146	L=142
	65x120	L=193	L=186	L=182
	80x80	L=153	L=146	L=142
Rectangular type, one sided 	50x30	L=104	L=97	L=94
Scimitar shaped type 	100x131	L=204	L=198	L=194
Folding type 	200x28	L=126	L=119	L=114
Scimitar shaped type(PC) 	98x120	L=175	L=168	Not suitable for high temperature(>120°C) Stainless steel paddle suggested
Cross bladed type(PC) 	80x32	L=81	L=74	

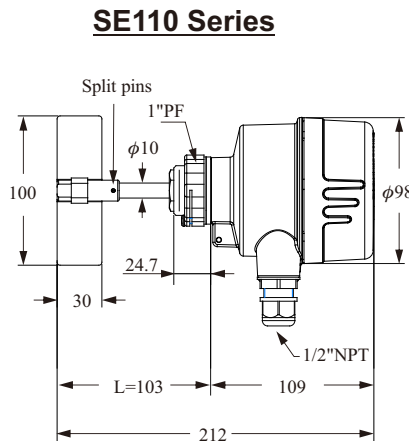
WARNING LIGHT TYPE - SEX5

- **Power source** : (A)110Vac,(B)220Vac,(C)240Vac, (D)24Vac, 50/60Hz (E)24Vdc
- **Power consumption** : 3W
- **Contact capacity** : SPDT, 5A/250Vac
- **Rotary speed** : 1 R.P.M.
- **Insulation test voltage** : 2500V
- **Connection** : 1"PF screw or JIS 2-1/2" x 5kg/cm²
- **Upper cover protection / material** : IP67 / Pc cover
- **Terminal box protection / material** : IP67 / ADC-12
- **Conduit** : 1/2"NPT
- **Material density** : 0.5 g/cm³

SCREW TYPE

SE110 Series

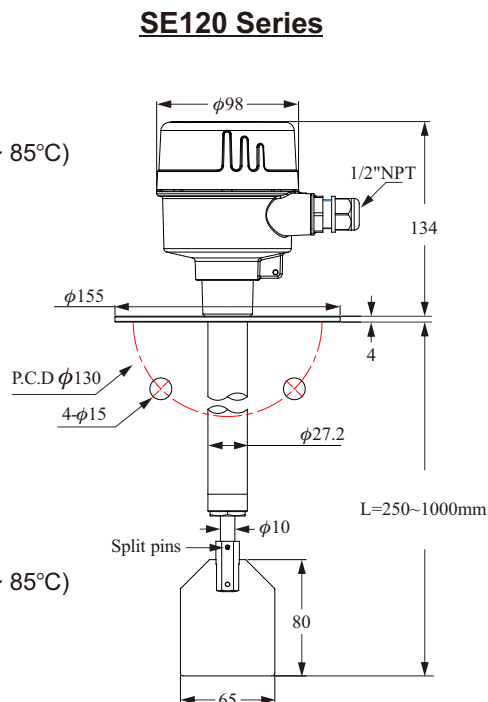
- Horizontal mounting
- Operation Temperature (-20°C ~ 85°C)
- Weight: 1.2 kg



SHAFT PROTECTIVE TUBE TYPE

SE120 Series

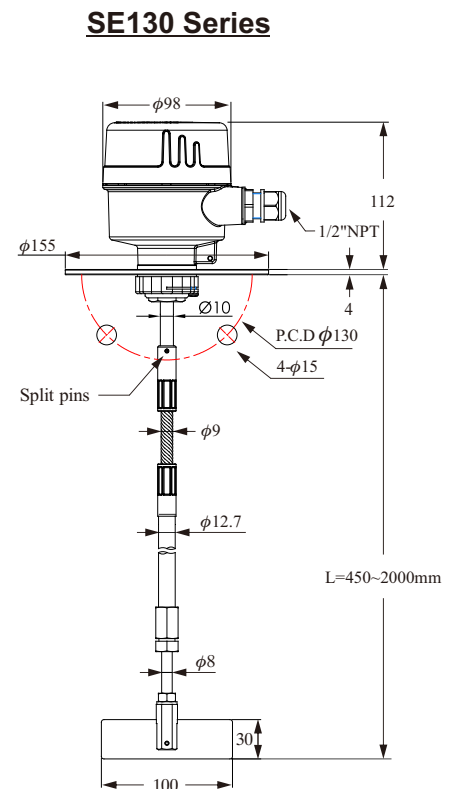
- Horizontal /Vertical mounting
- Operation Temperature (-20°C ~ 85°C)
- Weight: 1.2 kg
- Standard Length:
 - L--250mm (2.2 kg)
 - L--500mm (2.5 kg)
 - L--750mm (2.8 kg)
- Customized lengths available



SHAFT LENGTH ADJUSTABLE TYPE

SE130 Series

- Vertical mounting
- Operation Temperature (-20°C ~ 85°C)
- Standard Length:
 - L- 460~630mm (2.5 kg)
 - L- 650~1000mm (2.8 kg)
 - L- 750~1200mm (3.0 kg)
- Customized lengths available



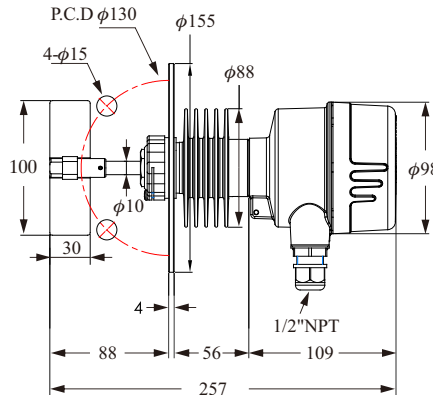
WARNING LIGHT TYPE - SEX5

HI-TEMP TYPE

SE140 Series

- Horizontal mounting
- Temp. (-20°C ~ 200°C)
- Weight: 2.1 kg

SE140 Series

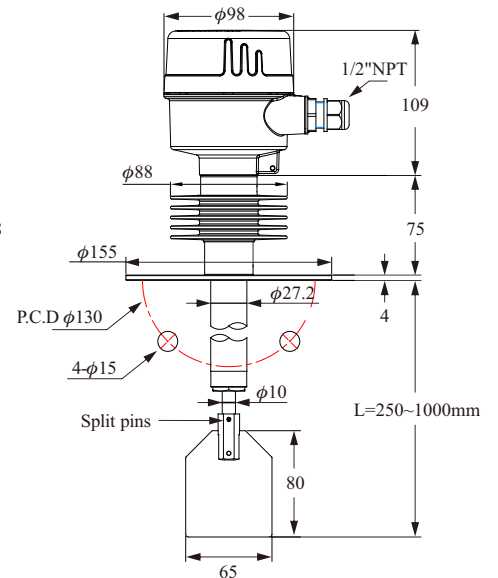


SE141 Series

HI-TEMP TYPE PROTECTIVE TUBE TYPE

SE141 Series

- Horizontal /Vertical mounting
- Operation Temperature (-20°C ~ 200°C)
- Standard Length (option):
L--250mm (2.6 kg)
L--500mm (2.9 kg)
L--750mm (3.2 kg)
- Special length is made by order



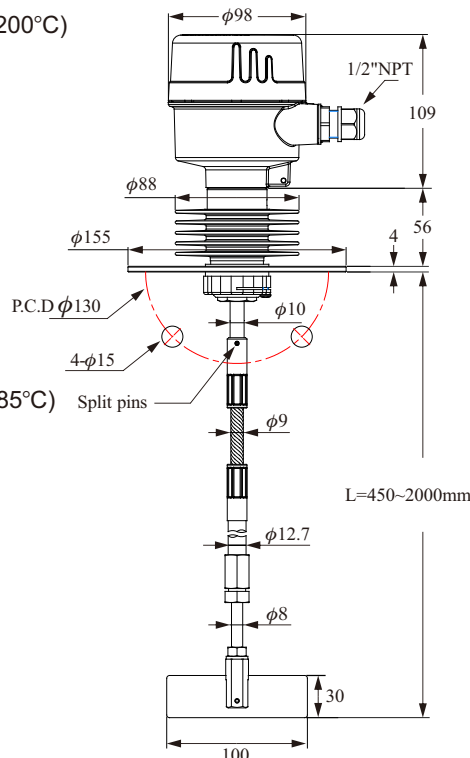
HI-TEMP SHAFT

LENGTH ADJUSTABLE TYPE

SE146 Series

- Vertical mounting
- Operation Temperature (-20°C ~ 200°C)
- Standard Length (option):
L- 450~630mm (3 kg)
L- 650~1000mm (3.3 kg)
L- 750~1200mm (3.5 kg)
- Special length is made by order

SE146 Series

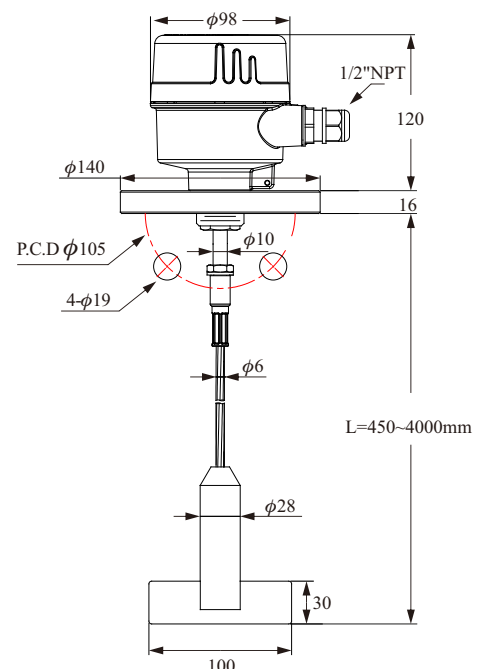


SE160 Series

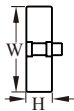
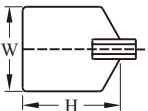
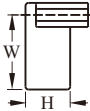
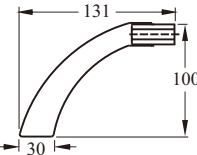
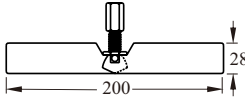
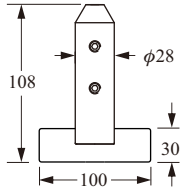
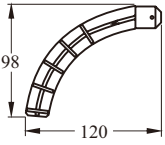
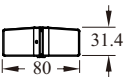
CABLE WIRE TYPE

SE160 Series

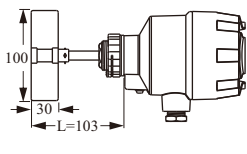
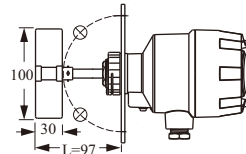
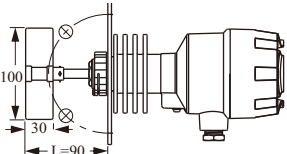
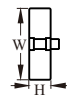
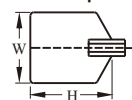
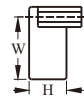
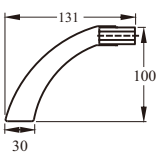
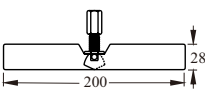
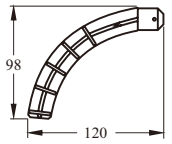
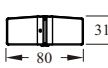
- Vertical mounting
- Operation Temperature (-20°C ~ 85°C)
- Standard Length (option):
L-- 450mm (2.5 kg)
L-- 650mm (2.8 kg)
L-- 750mm (3 kg)
- Special length is made by order



NEW / OLD PADDLE MODEL COMPARISON TABLE

New	Figure	Dimension(WxH)	Old
B	Rectangular shaped type 	100x30	A
C	Shovel shaped type 	65x80	B
D		65x120	C
E		80x80	D
F	Rectangular type, one sided 	50x30	E
G	Scimitar shaped type 	100x131	F
H	Folding type 	200x28	J
K	Weights type 	100x108	X
N	Scimitar shaped type(PC) 	98x120	
P	Cross bladed type(PC) 	80x32	

PROBE LENGTH LIST FOR WARNING LIGHT TYPE (WITH DIFFERENT PADDLES)

Product model		SE110	SE111	SE140
Paddle model				
Rectangular shaped type 	100x30	L=103	L=96	L=90
Shovel shaped type 	65x80	L=153	L=146	L=142
	65x120	L=193	L=186	L=182
	80x80	L=153	L=146	L=142
Rectangular type, one sided 	50x30	L=104	L=97	L=94
Scimitar shaped type 	100x131	L=204	L=197	L=190
Folding type 	200x28	L=126	L=119	L=114
Scimitar shaped type(PC) 	98x120	L=175	L=168	Not suitable for high temperature(>120°C) Stainless steel paddle suggested
Cross bladed type(PC) 	80x32	L=81	L=74	

ORDER INFORMATION

General Type SEX 5 ⁰⁵ ⁰⁶ 0 0 - B ¹⁰ ¹¹ ¹² ¹³ ¹⁴ ¹⁵ ¹⁶ ¹⁷ ¹⁸ ¹⁹ ²⁰ ²¹ ²²

Model

- 00: Standard
- 02: Hi-temperature

Construction

- A: General type
- B: Shaft protective tube type
- C: Shaft length adjustable type
- D: Cable wire type

Power supply

- A: AC110V
- B: AC220V
- C: AC240V
- D: AC24V
- E: DC24V

Connection

- | | | |
|--|-----------------------------|---|
| ¹⁴ ¹⁵ | ¹⁴ ¹⁵ | ¹⁶ ¹⁷ |
| Flange item | A8: 1" | 01: PT male |
| AK: JIS-FF | B1: 1-1/2" | 03: PF male |
| AN: ANSI-RF | B2: 2" | 07: NPT male |
| AS: DIN-FF | B4: 2-1/2" | 39: 5 kg/cm ² x4T(Thin flange) |
| BC: Standard thin flange
(Suitable for 2-1/2"dimension) | | 40: 5 kg/cm ² |
| | | 42: 10 kg/cm ² |
| | | 48: 150 Lbs |
| Thread item | | 49: 300 Lbs |
| AA: JIS | | 57: PN10 |
| AC: ANSI | | 58: PN16 |

Paddle model

- A: None
 - B: 100x30(WxH)
 - C: 65x80(WxH)
 - F: 50x30(WxH)
 - G: Scimitar type 100x131(WxH)
 - H: Folding type 200x28(WxH)
 - K: Cable wire type only100x108(WxH)
 - N: Scimitar shaped type(PC) 98x120(WxH)
 - P: Cross bladed type(PC)80x32(WxH)
- ※N type and P type not suitable for high temperature(>120°C)

Length

Code	Length range
0001~4000	0001~4000mm

EXPLOSION PROOF TYPE - SEX5

ATEX II 1D/2D Ex ta/tb IIIC T85°C or T100°C or T150°C or T200°C
IECEx Ex ta/tb IIIC T85°C or T100°C or T150°C or T200°C Da/Db

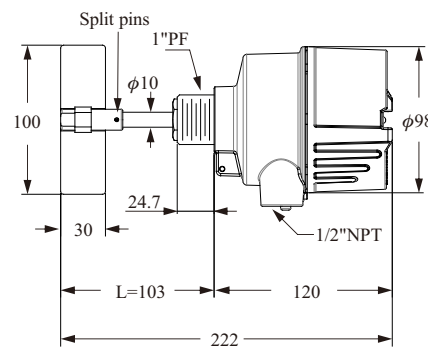
- **Power source** : (A)110Vac,(B)220Vac,(C)240Vac, (D)24Vac, 50/60Hz (E)24Vdc
- **Power consumption** : 3W
- **Contact capacity** : SPDT, 5A/250Vac
- **Rotary speed** : 1 R.P.M.
- **Insulation test voltage** : 2500V
- **Connection** : 1"PF screw or JIS 2-1/2" x 5kg/cm²
- **Protection/ material** : IP67 / ADC-12
- **Conduit** : 1/2"NPT/ADC-12
- **Material density** : 0.5 g/cm³

SCREW TYPE

SE110 Series

- Horizontal mounting
- Operation Temperature (-20°C ~ 85°C)
- Weight: 1.2 kg

SE110 Series

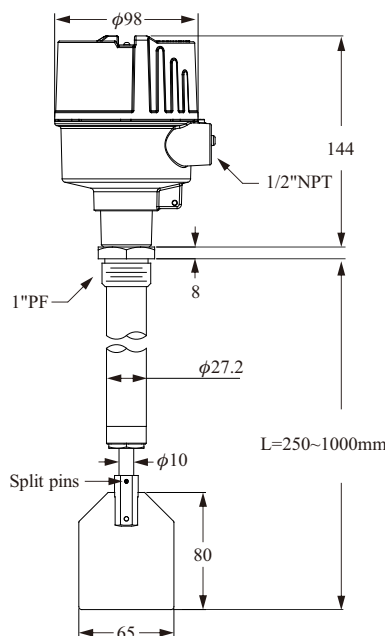


SHAFT PROTECTIVE TUBE TYPE

SE120 Series

- Horizontal /Vertical mounting
- Operation Temperature (-20°C ~ 85°C)
- Weight: 1.2 kg
- Standard Length:
 - L--250mm (2.2 kg)
 - L--500mm (2.5 kg)
 - L--750mm (2.8 kg)
- Customized lengths available

SE120 Series

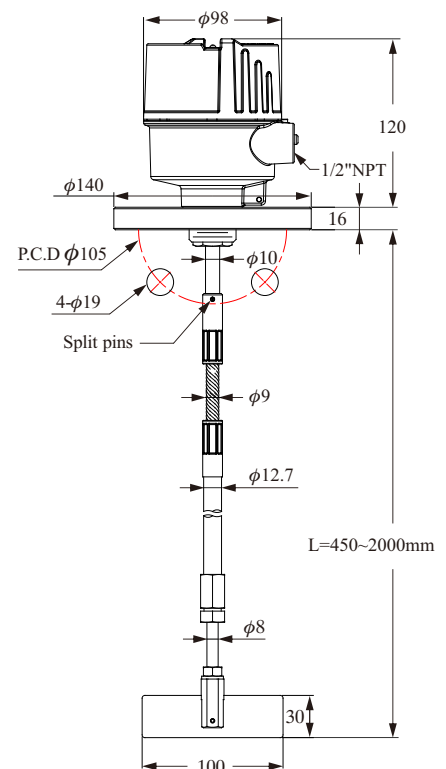


SE130 Series

SHAFT LENGTH ADJUSTABLE TYPE

SE130 Series

- Vertical mounting
- Operation Temperature (-20°C ~ 85°C)
- Standard Length:
 - L- 460~630mm (2.5 kg)
 - L- 650~1000mm (2.8 kg)
 - L- 750~1200mm (3.0 kg)
- Customized lengths available



EXPLOSION PROOF TYPE - SEX5

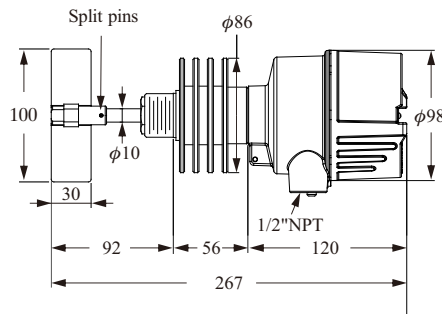
ATEX II 1D/2D Ex ta/tb IIIC T85°C or T100°C or T150°C or T200°C
IECEx Ex ta/tb IIIC T85°C or T100°C or T150°C or T200°C Da/Db

HI-TEMP TYPE

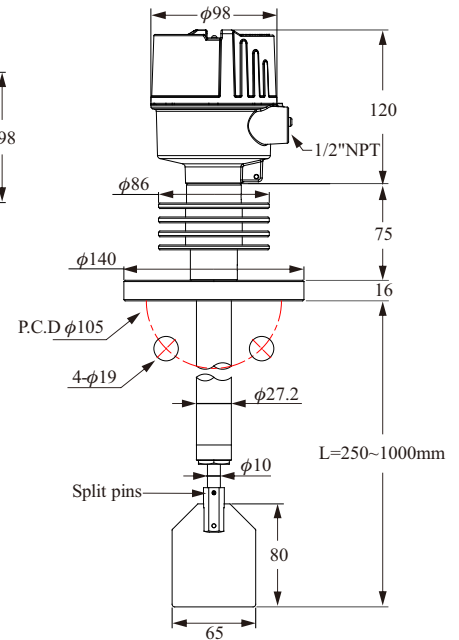
SE140 Series

- Horizontal mounting
- Temp. (-20°C ~ 200°C)
- Weight: 2.1 kg

SE140 Series



SE141 Series



HI-TEMP TYPE PROTECTIVE TUBE TYPE SE141 Series

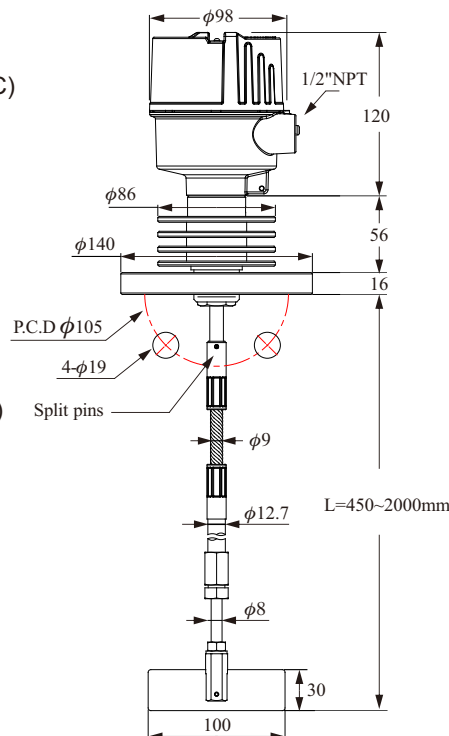
- Horizontal /Vertical mounting
- Operation Temperature (-20°C ~ 200°C)
- Standard Length (option):
L--250mm (2.6 kg)
L--500mm (2.9 kg)
L--750mm (3.2 kg)
- Special length is made by order

HI-TEMP SHAFT LENGTH ADJUSTABLE TYPE

SE146 Series

- Vertical mounting
- Operation Temperature (-20°C ~ 200°C)
- Standard Length (option):
L- 450~630mm (3 kg)
L- 650~1000mm (3.3 kg)
L- 750~1200mm (3.5 kg)

SE146Series

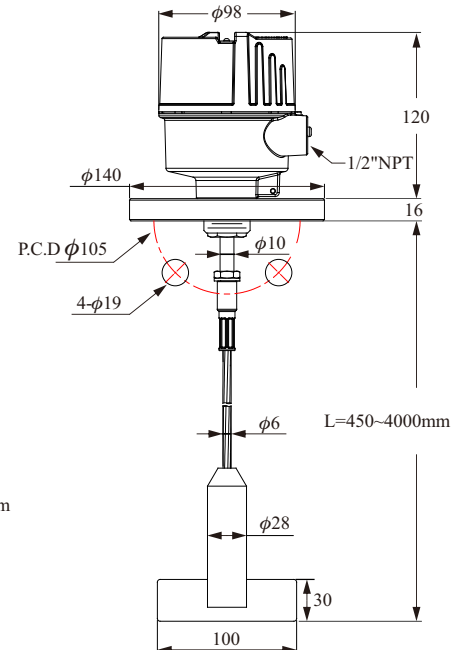


SE160 Series

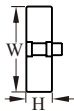
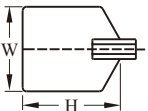
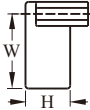
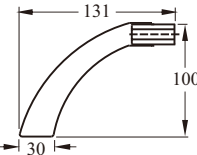
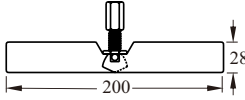
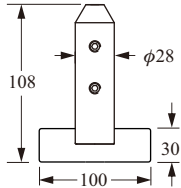
CABLE WIRE TYPE

SE160 Series

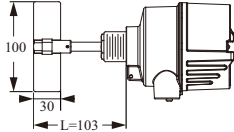
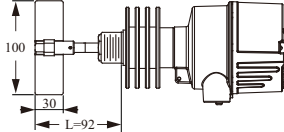
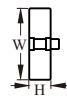
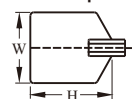
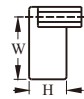
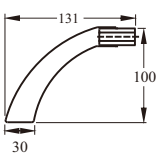
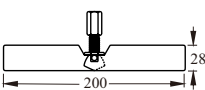
- Vertical mounting
- Operation Temperature (-20°C ~ 85°C)
- Standard Length (option):
L-- 450mm (2.5 kg)
L-- 650mm (2.8 kg)
L-- 750mm (3 kg)
- Special length is made by order



MODEL NUMBER / ORDER CODE COMPARISON TABLE

New	Figure	Dimension(WxH)	Old
B	Rectangular shaped type 	100x30	A
C	Shovel shaped type 	65x80	B
D		65x120	C
E		80x80	D
F	Rectangular type, one sided 	50x30	E
G	Scimitar shaped type 	100x131	F
H	Folding type 	200x28	J
K	Weights type 	100x108	X

PROBE LENGTH LIST FOR EXPLOSION PROOF TYPE (WITH DIFFERENT PADDLES)

Product model Paddle model		SE110	SE140
			
Rectangular shaped type 	100x30	L=103	L=92
Shovel shaped type 	65x80	L=153	L=142
	65x120	L=193	L=182
	80x80	L=153	L=142
Rectangular type, one sided 	50x30	L=104	L=93
Scimitar shaped type 	100x131	L=204	L=193
Folding type 	200x28	L=126	L=115

ORDER INFORMATION

SEX 5 05 06 07 08 - A 10 11 12 13 14 15 16 17 18 19 20 21 22

05 06 Model

- 00: Standard
- 02: Hi-temperature

07 08 Certification

- 1D: ATEX-Dust
- 2D: IECEx-Dust

10 Construction

- A: General type
- B: Shaft protective tube type
- C: Shaft length adjustable type
- D: Cable wire type

11 Power supply

- A: AC110V
- B: AC220V
- C: AC240V
- D: AC24V
- E: DC24V

Connection

12 13

- Flange item
- AK: JIS-FF
- AN: ANSI-RF
- AS: DIN-FF
- BC: Standard thin flange
(Suitable for 2-1/2" dimension)

14 15

- A8: 1"
- B1: 1-1/2"
- B2: 2"
- B4: 2-1/2"

16 17

- 01: PT male
- 03: PF male
- 07: NPT male
- 39: 5 kg/cm²x4T(Thin flange)
- 40: 5 kg/cm²
- 42: 10 kg/cm²
- 48: 150 Lbs
- 49: 300 Lbs
- 57: PN10
- 58: PN16

Thread item

- AA: JIS
- AC: ANSI

18 Paddle model

- A: None
- B: 100x30(WxH)
- C: 65x80(WxH)
- F: 50x30(WxH)
- G: Scimitar type
- H: Folding type 200x28(WxH)
- K: Cable wire type only 100x108(WxH)

19 20 21 22 Length

Code	Length range
0001~4000	0001~4000mm

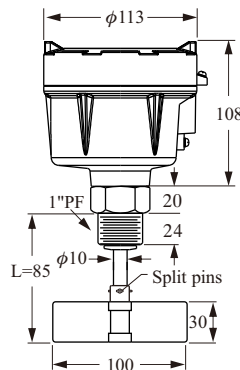
EXPLOSION PROOF TYPE

- **Power source** : (A)110Vac, (B)220Vac, (C)240Vac
(D)24Vac, 50/60Hz
- **Power consumption** : 3W
- **Contact capacity** : SPDT, 3A/250Vac
- **Rotary speed** : 1 R.P.M.
- **Insulation test voltage** : AC 1500V × 1minute

- **Connect** : 1"PF screw or flange 1"~6"
2-1/2" × 5kg/cm² (std.)
- **Housing material** : AL Alloy, ADC-12
- **Conduit** : 1/2" (std.) or 3/4"NPT
- **Material density** : 0.5 g/cm³

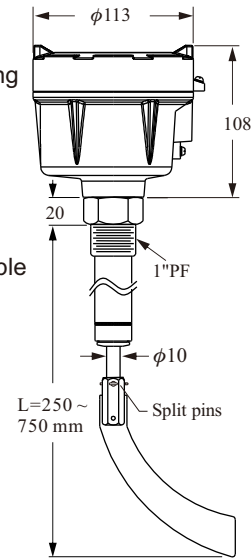
EXPLOSION PROOF CONNECTION TYPE SE170 series

- Horizontal mounting
- Temp. (-20°C ~ 70°C)



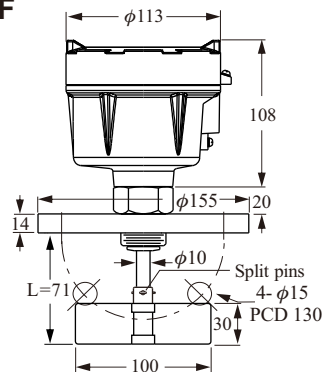
EXPLOSION PROOF SHAFT PROTECTION TYPE SE172 series

- Horizontal /Vertical mounting
- Temp. (-20°C ~ 70°C)
- Standard Length (option):
L-- 250mm
L-- 500mm
L-- 750mm
- Customized lengths available



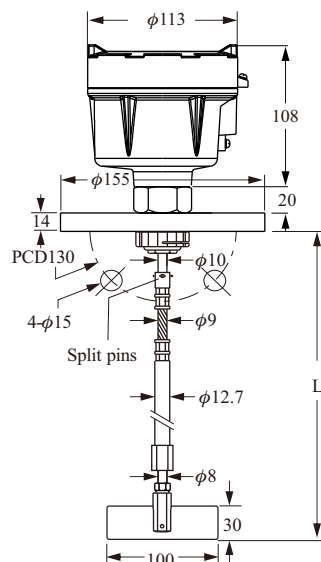
EXPLOSION PROOF FLANGE TYPE SE171 series

- Horizontal mounting
- Temp. (-20°C ~ 70°C)



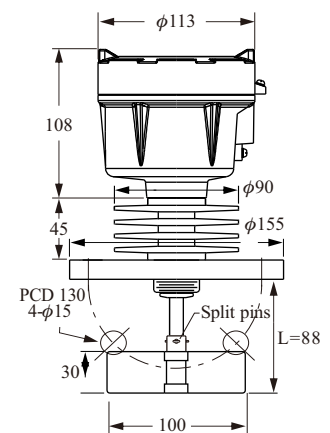
EXPLOSION PROOF ADJUSTABLE SHAFT TYPE SE173 series

- Vertical mounting
- Temp. (-20°C ~ 70°C)
- Standard Length (option):
L-- 450 ~630mm
L-- 650 ~1000mm
L-- 750 ~1200mm
- Special length is made by order



EXPLOSION PROOF HI-TEMP TYPE SE174 series

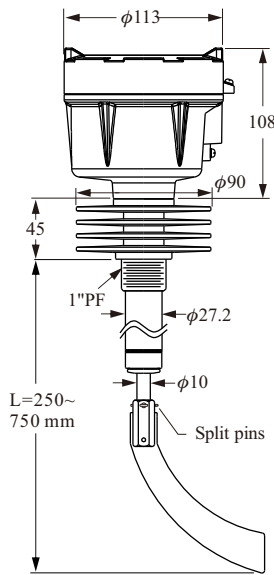
- Horizontal mounting
- Temp. (-20°C ~ 190°C)



EXPLOSION PROOF TYPE

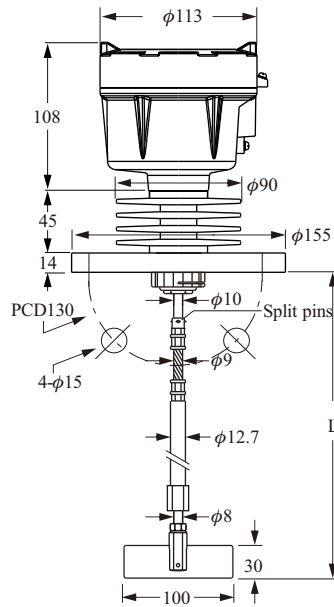
EXPLOSION PROOF HI-TEMP SHAFT PROTECTIVE TUBE TYPE SE175 Series

- Horizontal /Vertical mounting
- Temp. (-20°C ~ 190°C)
- Special length is made by order



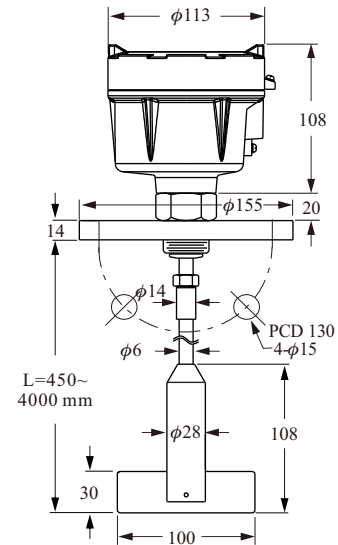
EXPLOSION PROOF HI-TEMP ADJUSTABLE SHAFT TYPE SE176 Series

- Vertical mounting
- Temp. (-20°C ~ 190°C)
- Special length is made by order

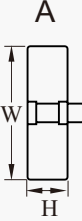
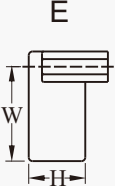
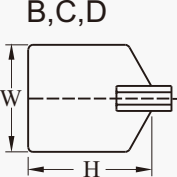
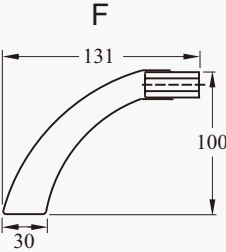


EXPLOSION PROOF CABLE WIRE TYPE SE177 Series

- Vertical mounting
- Temp. (-20°C ~ 70°C)
- Special length is made by order



■ Paddle Introduction

	<p>(A) 100x30 (WxH), Min. fixed hole diameter size φ90mm.</p>		<p>(E) 50x30 (WxH), Suitable for high S.G. raw materials. Use a small size paddle to decrease the impact of material falling directly on paddle.</p>
	<p>(B) 65x80 (WxH), Directly mounted into 2-1/2" fixed hole. (C) 65x120 (WxH), Directly mounted into 2-1/2" fixed hole. (D) 80x80 (WxH)</p>		<p>(F) Scimitar model paddle, Screw tightly on the 1" diameter fixed hole, It is easier to mount and dismount.</p>

MODEL NUMBER / ORDER CODE COMPARISON TABLE

Model Number	Order Code
SE170	SEX300□□-AA
SE171	
SE172	SEX300□□-AB
SE173	SEX300□□-AC
SE174	SEX302□□-AA
SE175	SEX302□□-AB
SE176	SEX302□□-AC
SE177	SEX300□□-AD

ACCESSORIES

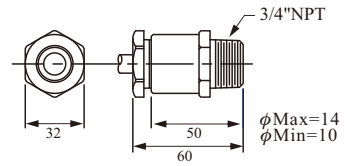
Cable Conduit - Ex d IIC

Material: Washer — NBR

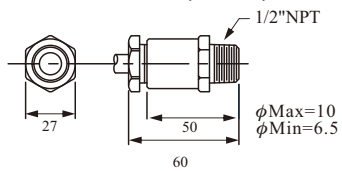
Body— Copper alloy(3/4"NPT)

Nickel plated(1/2"NPT)

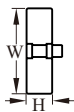
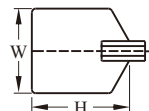
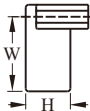
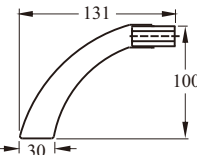
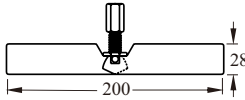
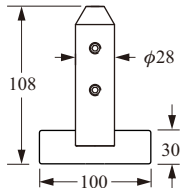
HP415-A23100MH01(29-1104)



HP415-A23000MG01(29-1108)



New / Old paddle model comparison table

New	Figure	Dimension(WxH)	Old
B	Rectangular shaped type 	100x30	A
C	Shovel shaped type 	65x80	B
D		65x120	C
E		80x80	D
F	Rectangular type, one sided 	50x30	E
G	Scimitar shaped type 	100x131	F
H	Hinged type 	200x28	J
K	Weights type 	100x108	X

ORDER INFORMATION

SEX3 ⑤⑥ ⑦⑧ -A ⑩ ⑪ ⑫ ⑬ ⑭ ⑮ ⑯ ⑰ ⑱ ⑲ ⑳ ㉑ ㉒

⑤⑥ **Model**

- 00: Standard
- 02: Hi-temperature

⑦⑧ **Certification**

- 1C: ATEX-Exd
- 2C: IECEx-Exd
- 5C: TS-Exd
- 7C: NEPSI-Exd

⑩ **Construction**

- A: General type
- B: Shaft protective tube type
- C: Shaft length adjustable type
- D: Cable wire type

⑪ **Power supply**

- A: AC110V
- B: AC220V
- C: AC240V
- D: AC24V

Connection

⑫⑬

- Flange item
- AK: JIS-FF
- AN: ANSI-RF
- AS: DIN-FF

⑭⑮

- A8: 1"
- B1: 1-1/2"
- B2: 2"
- B4: 2-1/2"

⑯⑰

- 01: PT male
- 03: PF male
- 07: NPT male
- 40: 5 kg/cm²
- 42: 10 kg/cm²
- 48: 150 Lbs
- 49: 300 Lbs
- 57: PN10
- 58: PN16

⑱ **Paddle model**

- A: None
- B: 100x30(WxH)
- C: 65x80(WxH)
- F: 50x30(WxH)
- G: Scimitar type
- K: 100x108(WxH)(Cable wire type only)

⑲⑳㉑㉒ **Length**

Code	Length range
0001~4000	0001~4000mm

MINI TYPE(ALUMINUM ALLOY COVER)

Housing cover code:
 0: Aluminum cover
 1: Aluminum cover with LED lamp

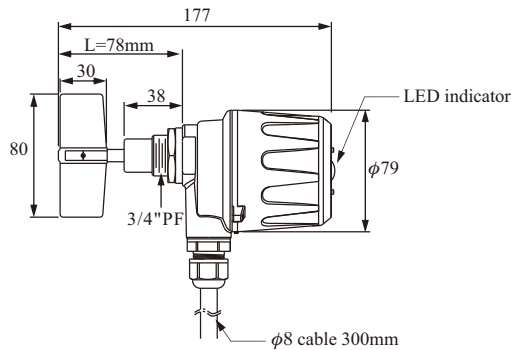
- **Power source** : (A)110Vac,(B)220Vac,(C)240Vac, (D)24Vac, 50/60Hz,(E)24Vdc
- **Power consumption** : 1.5W
- **Contact capacity** : 5A/250Vac, 5A/30Vdc
- **Rotary speed** : 1R.P.M.
- **IP rating** : IP65

- **Housing material** : Aluminum alloy
- **Ambient temperature** : -40°C ~ 85°C
- **Cable length** : 300mm (available for custom length)
- **Material density** : 0.3 g/cm³
- **Display status** : Green(Working), Red(Stopped)

STANDARD TYPE

SE38□0 Series

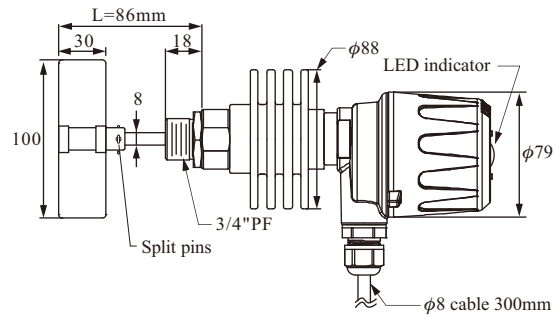
- Operation temperature: -40°C ~ 85°C
- Paddle material: PC



HIGH TEMPERATURE TYPE

SE38□4 Series

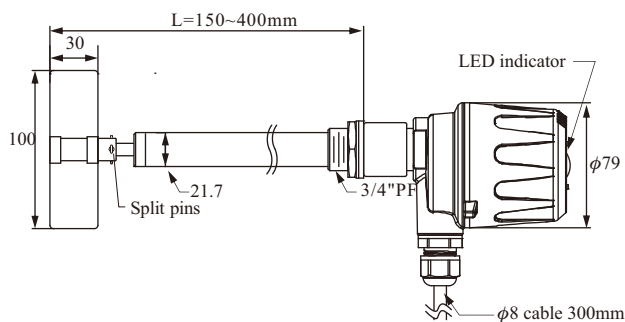
- Operation temperature: -40°C ~ 200°C
- Paddle material: SUS304



SHAFT PROTECTIVE TUBE TYPE

SE38□2 Series

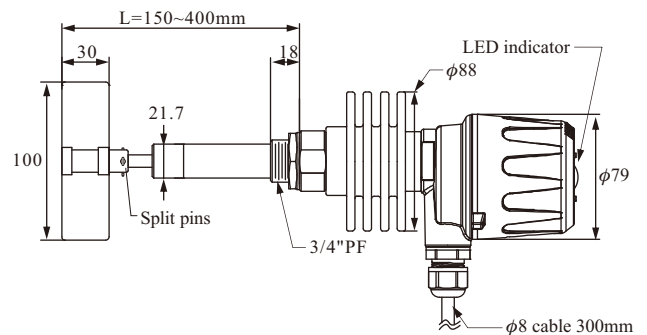
- Operation temperature: -40°C ~ 85°C
- Paddle material: SUS304



HIGH TEMPERATURE SHAFT PROTECTIVE TUBE TYPE

SE38□5 Series

- Operation temperature: -40°C ~ 200°C
- Paddle material: SUS304

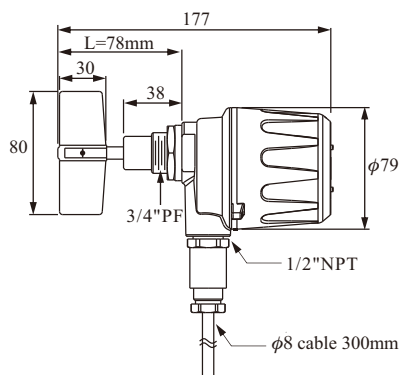


MINI TYPE(EXPLOSION PROOF)

- **Power source** : (A)110Vac,(B)220Vac,(C)240Vac,
(D)24Vac, 50/60Hz,(E)24Vdc
- **Power consumption** : 1.5W
- **Contact capacity** : 5A/250Vac, 5A/30Vdc
- **Rotary speed** : 1R.P.M.
- **IP rating** : IP65
- **Housing material** : Aluminum alloy
- **Ambient temperature** : -40°C ~ 85°C
- **Cable length** : 300mm (available for custom length)
- **Material density** : 0.3 g/cm³

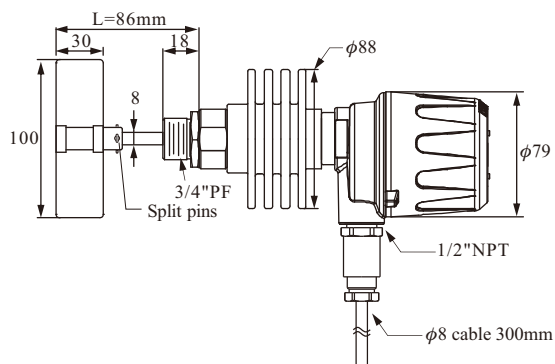
STANDARD TYPE SE3700 Series

- Operation temperature: -40°C ~ 80°C
- Paddle material: PC



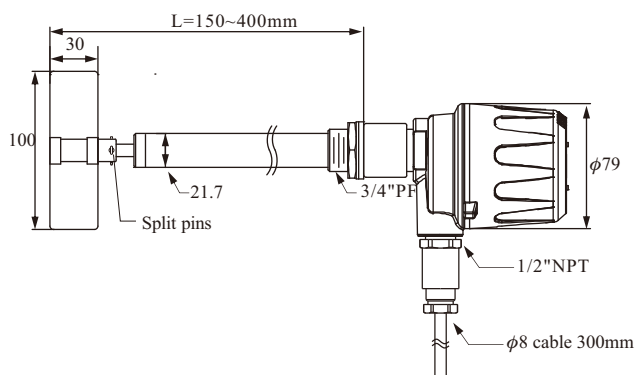
HIGH TEMPERATURE TYPE SE3704 Series

- Operation temperature: -40°C ~ 195°C
- Paddle material: SUS304



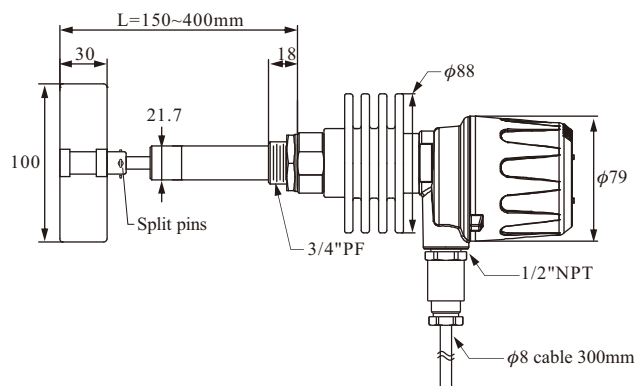
SHAFT PROTECTIVE TUBE TYPE SE3702 Series

- Operation temperature: -40°C ~ 80°C
- Paddle material: SUS304



HIGH TEMPERATURE SHAFT PROTECTIVE TUBE TYPE SE3705 Series

- Operation temperature: -40°C ~ 195°C
- Paddle material: SUS304



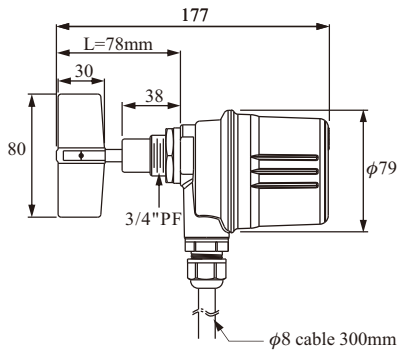
MINI TYPE(PLASTIC COVER)

- **Power source** : (A)110Vac,(B)220Vac,(C)240Vac, (D)24Vac, 50/60Hz,(E)24Vdc
- **Power consumption** : 1.5W
- **Contact capacity** : 5A/250Vac, 5A/30Vdc
- **Rotary speed** : 1R.P.M.
- **IP rating** : IP65

- **Housing material** : Plastic cover
- **Ambient temperature** : -40°C ~ 85°C
- **Cable length** : 300mm (available for custom length)
- **Material density** : 0.3 g/cm³

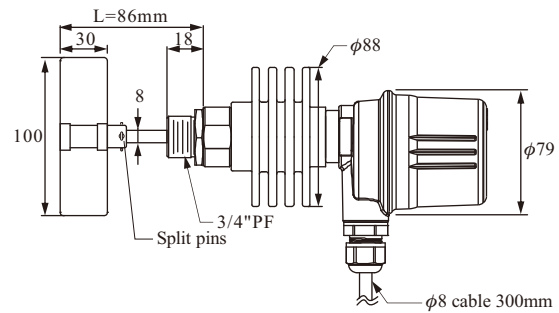
STANDARD TYPE SE3820 Series

- Operation temperature: -40°C ~ 85°C
- Paddle material: PC



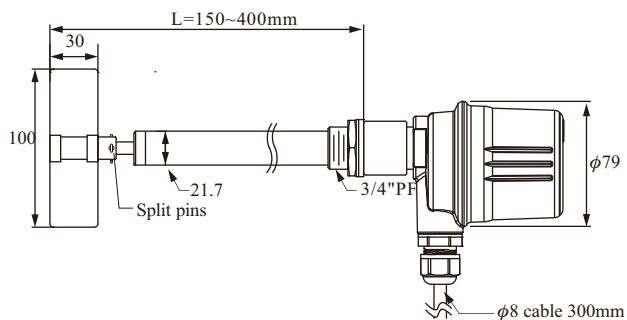
HIGH TEMPERATURE TYPE SE3824 Series

- Operation temperature: -40°C ~ 200°C
- Paddle material: SUS304



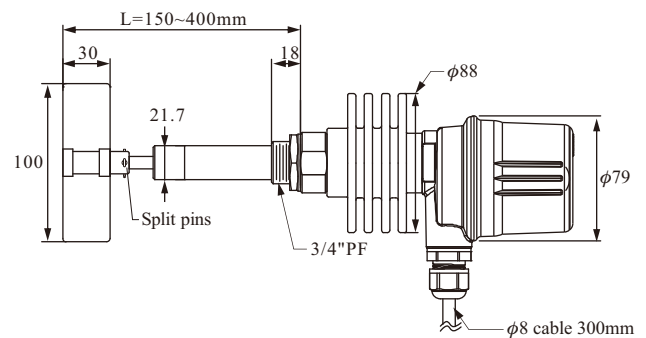
SHAFT PROTECTIVE TUBE TYPE SE3822 Series

- Operation temperature: -40°C ~ 85°C
- Paddle material: SUS304

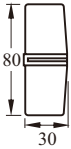
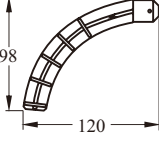
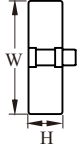
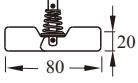
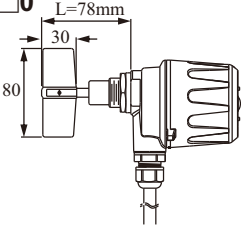
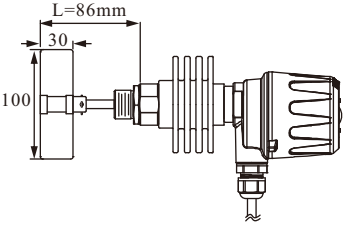
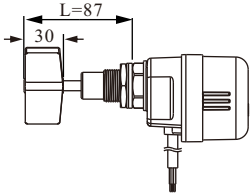


HIGH TEMPERATURE SHAFT PROTECTIVE TUBE TYPE SE3825 Series

- Operation temperature: -40°C ~ 200°C
- Paddle material: SUS304



PROBE LENGTH LIST FOR MINI TYPE (WITH DIFFERENT PADDLES)


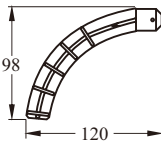

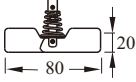
Appearance diagram				
Paddle model	Cross bladed type 80x30 (PC)	Scimitar shaped type 98x120 (PC)	Rectangular shaped type 100x30 (SUS)	Hinged type 80x20 (SUS)
SE38□0 	L=78	L=174	L=104	L=100
SE38□4 	Not suitable for high temperature (> 120°C) Stainless steel paddle suggested		L=86	L=82
SE290 	L=87	L=183	L=113	L=109

MODEL NUMBER / ORDER CODE COMPARISON TABLE

Model Number	Order Code
SE3700	SEX2007D-AA
SE3702	SEX2007D-AB
SE3704	SEX2027D-AA
SE3705	SEX2027D-AB
SE3800	SEX20000-AA
SE3810	SEX20000-BA
SE3820	SEX20000-CA
SE3802	SEX20000-AB

Model Number	Order Code
SE3812	SEX20000-BB
SE3822	SEX20000-CB
SE3804	SEX20200-AA
SE3814	SEX20200-BA
SE3824	SEX20200-CA
SE3805	SEX20200-AB
SE3815	SEX20200-BB
SE3825	SEX20200-CB

New / Old paddle model comparison table

New	Figure	Dimension(WxH)	Old
G	Cross bladed type 	80x30	G
H	Scimitar shaped type 	98x120	H
I	Rectangular shaped type 	100x30	I
K	Hinged type 	80x20	K

ORDER INFORMATION

SEX2 ⑤ ⑥ ⑦ ⑧ ⑨ ⑩ ⑪ ⑫ ⑬ ⑭ ⑮ ⑯ ⑰ ⑱ ⑲ ⑳ ㉑ ㉒ ㉓ ㉔ ㉕ ㉖

⑤⑥ **Model**
 00: Standard
 02: Hi-temperature

⑦⑧ **Certification**
 00: None
 7D: NEPSI-Exd
 (The housing select A:Alumium cover only)

⑨ **Housing**
 A: Aluminum cover
 B: Aluminum cover with LED lamp
 C: Plastic cover

⑩ **Construction**
 A: General type
 B: Shaft protective tube type

⑪ **Power supply**
 A: AC110V
 B: AC220V
 C: AC240V
 D: AC24V
 E: DC24V

Connection

⑫⑬
 Flange item
 AK: JIS-FF
 AN: ANSI-RF
 AS: DIN-FF

⑭⑮
 A7: 3/4"
 A8: 1"
 B1: 1-1/2"
 B2: 2"

⑯⑰
 01: PT male
 03: PF male
 07: NPT male
 40: 5 kg/cm²
 42: 10 kg/cm²
 48: 150 Lbs
 49: 300 Lbs
 57: PN10
 58: PN16

(Next page)

ORDER INFORMATION

SEX2 ⁰⁵ ⁰⁶ ⁰⁷ ⁰⁸ ⁰⁹ ¹⁰ ¹¹ ¹² ¹³ ¹⁴ ¹⁵ ¹⁶ ¹⁷ ¹⁸ ¹⁹ ²⁰ ²¹ ²² ²³ ²⁴ ²⁵ ²⁶

¹⁸ **Paddle model**

- A: None
- G: PC; Cross type
- H: PC; Scimitar type 120x98(WxH)
- I : SUS; 100x30(WxH)
- K: SUS; Folding type 80x20(WxH)

¹⁹ ²⁰ ²¹ ²² **Length**

Code	Length range
0001~400	0001~400mm

²³ ²⁴ ²⁵ ²⁶ **Cable wire length**

Code	Length range
0300~5000	0300~5000mm

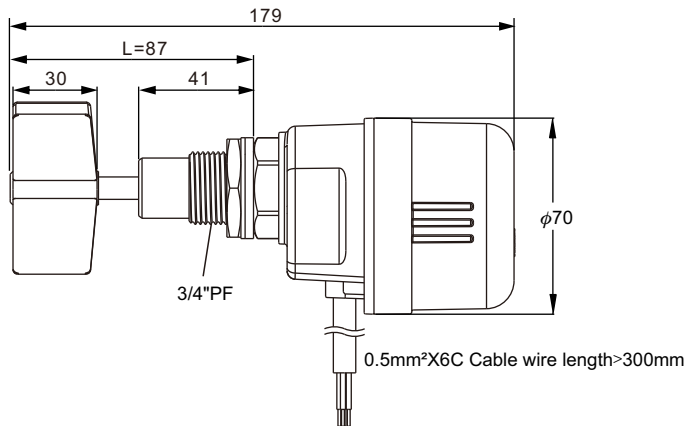
MINI TYPE(ECONOMY)

- **Power source** : (A)110Vac,(B)220Vac,
(D)24Vac, 50/60Hz; (E)24Vdc
- **Power consumption** : 1.5W
- **Contact capacity** : 3A/250Vac, 3A/30Vdc
- **Rotary speed** : 1R.P.M.
- **IP rating** : IP65

- **Housing material** : Plastic cover
- **Ambient temperature** : -20°C ~ 80°C
- **Cable length** : 300mm (available for custom length)
- **Material density** : 0.3 g/cm³

STANDARD SE290 A/B/D/E

- Operation temperature: -20°C ~ 80°C
- Paddle material: PC



MODEL NUMBER / ORDER CODE COMPARISON TABLE

Model Number	Order Code
SE290A	SEX40000-CAA
SE290B	SEX40000-CAB
SE290D	SEX40000-CAD
SE290E	SEX40000-CAE

ORDER INFORMATION

SEX4 0 0 0 0 - CA ⑪ ⑫ ⑬ ⑭ ⑮ ⑯ ⑰ ⑱ ⑲ ⑳ ㉑ ㉒

⑪ Power supply

- A: AC110V
- B: AC220V
- D: AC24V
- E: DC24V

Connection

⑫ ⑬

- Flange item
- AK: JIS-FF
- AN: ANSI-RF
- AS: DIN-FF

⑭ ⑮

- A7: 3/4"
- A8: 1"
- B1: 1-1/2"
- B2: 2"

⑯ ⑰

- 01: PT male
- 03: PF male
- 07: NPT male
- 40: 5 kg/cm²
- 42: 10 kg/cm²
- 48: 150 Lbs
- 49: 300 Lbs
- 57: PN10
- 58: PN16

⑱ Paddle model

- A: None
- G: PC; Cross type
- H: PC; Scimitar type 120x98(WxH)
- I: SUS; 100x30(WxH)
- K: SUS; Folding type 80x20(WxH)

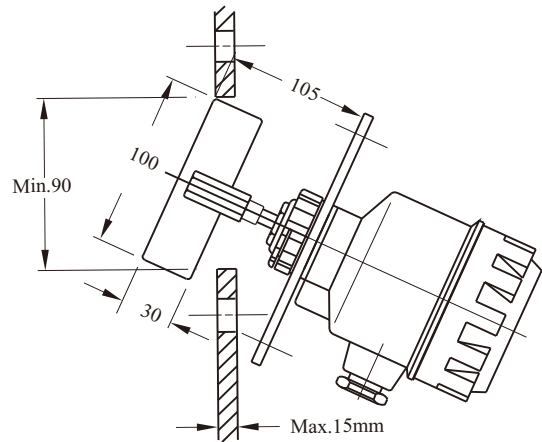
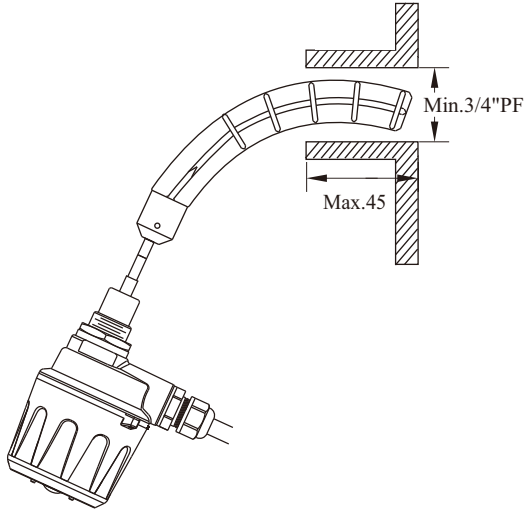
⑲ ⑳ ㉑ ㉒ Cable wire length

Code	Length range
0300~5000	0300~5000mm

MOUNTING EXAMPLES

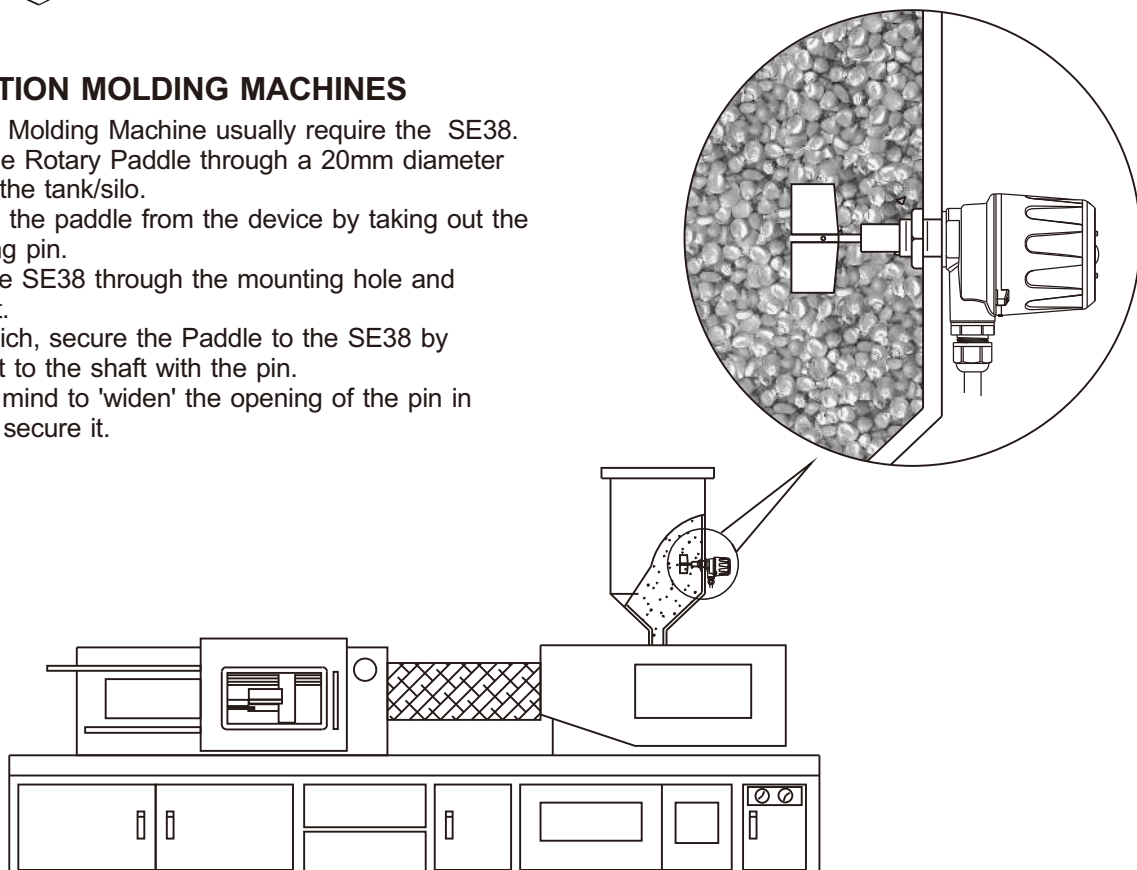
Regular models such as the SE11 should be installed directly on the tank side. Mount at a 35° angle the blade through the tank opening or hole sliding the blade in first.

* The SE170 series minimum hole size should be 95mm in diameter. The scimitar model is directly installed on the tank wall method as shown below. (Assuming an arc-shaped tank with a 3/4" connection) and then screwing it tight.

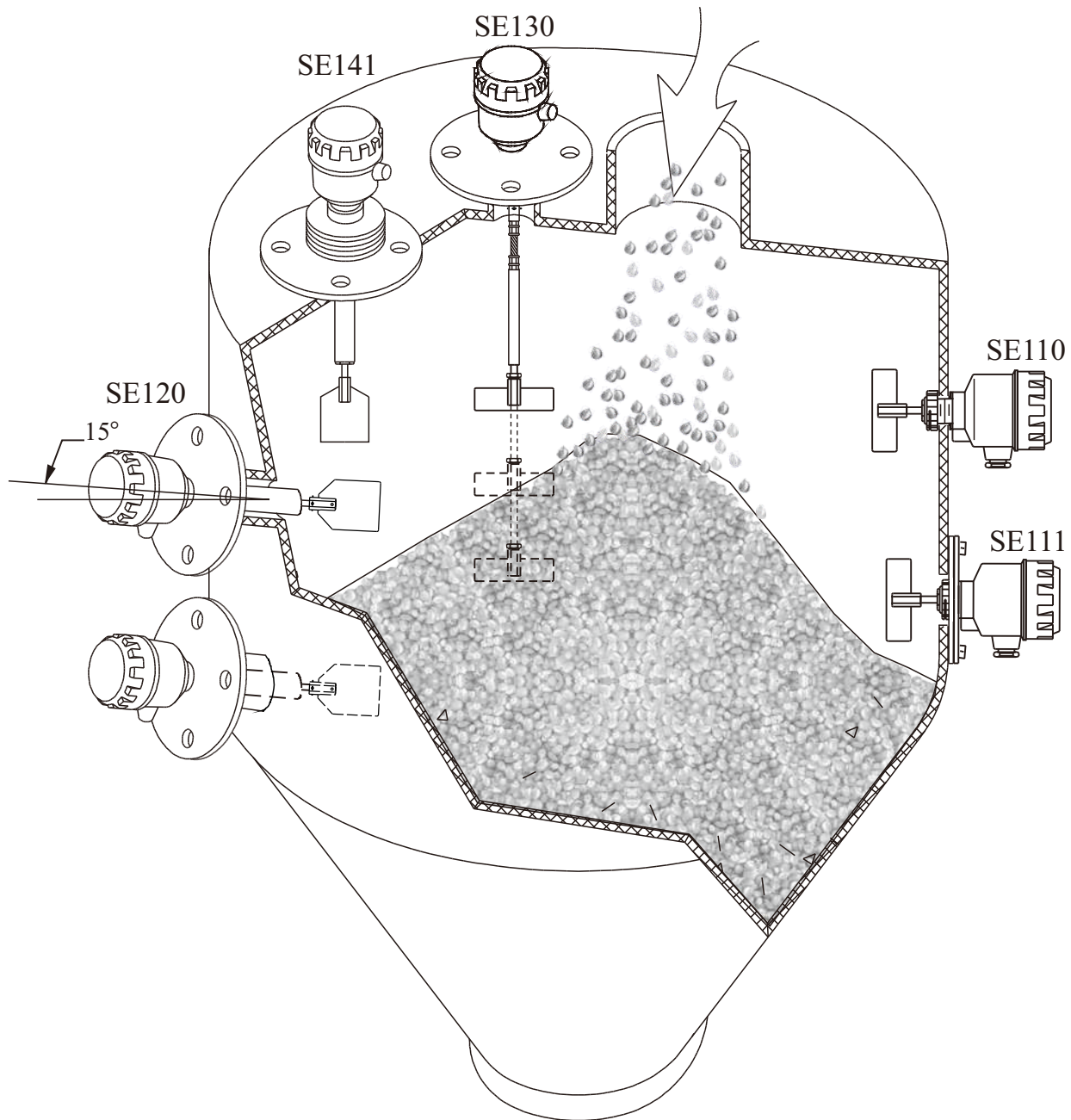


INJECTION MOLDING MACHINES

Injection Molding Machine usually require the SE38. Install the Rotary Paddle through a 20mm diameter hole on the tank/silo. Remove the paddle from the device by taking out the fastening pin. Insert the SE38 through the mounting hole and tighten it. After which, secure the Paddle to the SE38 by locking it to the shaft with the pin. Keep in mind to 'widen' the opening of the pin in order to secure it.



EXAMPLES



INSTALLATION NOTICES

1. Side mount the sensor at a downward angle of 15° ~ 20° to decrease the material inflow impact.
2. For high temperature application (more than 70°C), please use the SE14□ Series.
3. For SE110~SE140 using a 1" inlet, please apply the scimitar model and screw directly.
4. For SE130, SE146 series have flexible and extendible shafts.
5. Please ensure the lead wire enters the housing from the bottom and the nuts are fastened to secure the device.

Global Network



■ Head Quarte

● Taiwan

FineTek Co., Ltd. - Taipei Head Quarter 
No.16, Tzuchiang St., Tucheng Industrial Park
New Taipei City 236, Taiwan
TEL: 886-2-2269-6789
FAX: 886-2-2268-6682
EMAIL: info@fine-tek.com

■ North America

● California, U.S.

Aplus Finetek Sensor Inc. - US Office
355 S. Lemon Ave, Suite D, Walnut,
CA 91789
TEL: 1 909 598 2488
FAX: 1 909 598 3188
EMAIL: info@aplusfine.com

■ Europe

● Germany

FineTek GmbH - Germany Office
Bei den Kämpen 26
21220 Seevetal-Ramelsloh, Germany
TEL: +49-(0)4185-8083-12
FAX: +49-(0)4185-8083-80
EMAIL: info@fine-tek.de

■ Asia

● China

Fine automation Co., Ltd. - Shanghai Factory 
No.451 DuHui Rd, MinHang District, Shanghai,
China 201109
TEL: 86-21-6490-7260
EMAIL: info.sh@fine-tek.com

● Singapore

FineTek Pte Ltd. - Singapore Office
37 Kaki Bukit Place, Level 4 Singapore 416215
TEL: 65-6452-6340
EMAIL: info.sg@fine-tek.com

● Indonesia

PT. FineTek Automation Indonesia - Indonesia Office 
PERGUDANGAN TUNAS BITUNG
JL. Raya Serang KM. 13,8, Blok C3 No. 12&15, Bitung Cikupa,
Tangerang 15710
TEL: 62 (021)-2958-1688
EMAIL: info.id@fine-tek.com

● Müttec Instruments GmbH - Germany Office



Bei den Kämpen 26
21220 Seevetal-Ramelsloh, Germany
TEL: +49-(0)4185-8083-0
FAX: +49-(0)4185-8083-80
EMAIL: muetec@muetec.de



Distributor: