



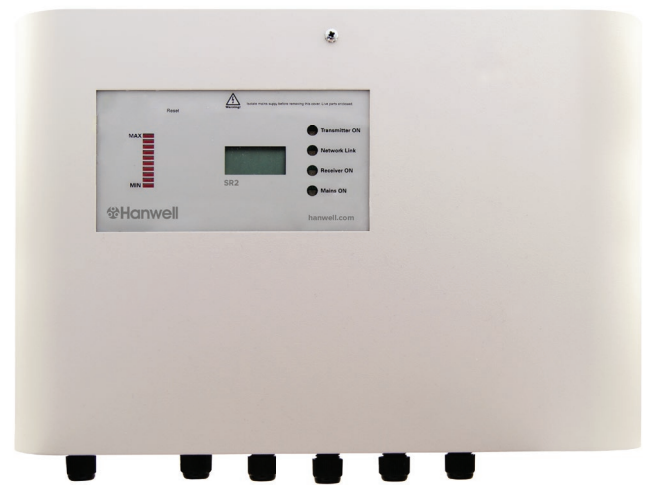
# SR2 Base Station

## Pro Network Receiver

The SR2 is the Hanwell Pro network enabled smart receiver, designed for collecting environmental monitoring data from multiple points within a site, or across multiple sites. The unit can receive data from up to 253 Hanwell Pro transmitters.

### Features

- ✓ British made high performance technology
- ✓ Incorporates standard TCP/IP comms protocols for rapid data handling
- ✓ Each SR2 can obtain data from up to 253 sensors
- ✓ Unlimited number of SR2's can be used on a single system
- ✓ Data is automatically sorted and filed
- ✓ Long-distance radio transmission when accompanied with receiver



Product code: SR2-E-PU

Always ask for a long-range signal strength test.



We can prove ours to be unrivalled.

Instrumentation specification	
Dimension (Excl. ancillaries)	300 x 200 x 85mm
Weight	1.2 kg
Power supply	110V AC or 240V AC. Detachable 12V battery backup supplying 2.3A/hr
Case material	Powder coated mild steel
Memory capacity	512kb
Clock accuracy (logging)	40ppm @ 25°C
Operating temperature range	5°C to +40°C
Operating humidity range	0-100% RH non-condensing
Storage temperature	-40°C to +60°C
IP Rating	IP54

Accessories	
RX-xx	Remote receiver - please specify the frequency required
SR2-E-7.0-UPS	7.0Ah external wall mounted UPS
SR2-E-15-UPS	15Ah external wall mounted UPS

Outputs	
Alarm outputs	1 x nominal 12V, 2 x changeover relays (energised when no alarms exist)
MS1000 cards	4 core signal cable

Ultimate peace of mind **RoHS**

Version 2 - EC180076

Disclaimer: The information contained herein is believed to be reliable. Hanwell Ltd is not responsible for any Customers should obtain and verify the latest relevant information before placing orders for Hanwell products.

hanwell.com

Tel: +44 (0)1462 688070 | Email: sales@hanwell.com

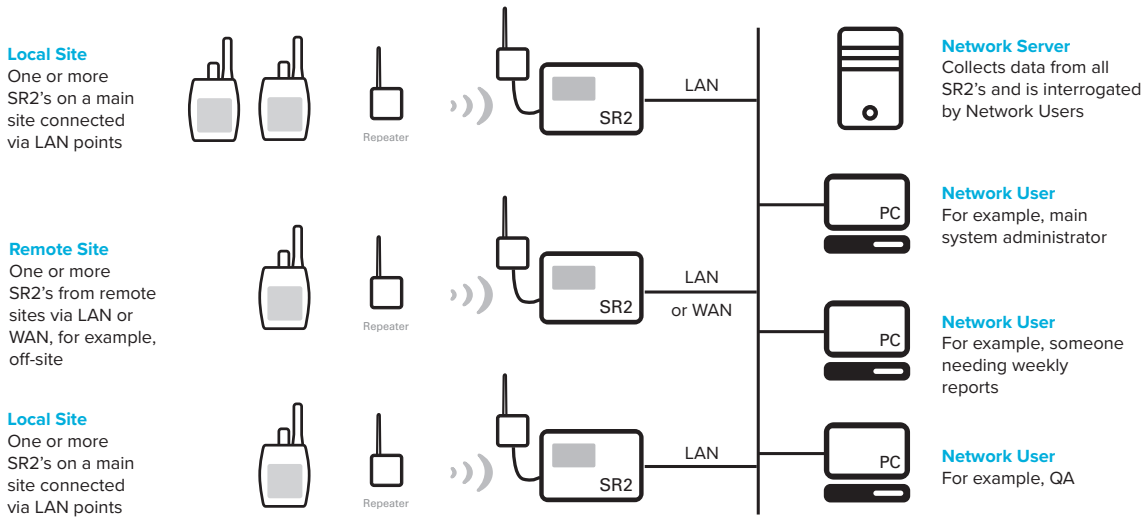
# How it works

The Hanwell Pro SR2 logs all received data in its on-board 512kb memory. The Hanwell EMS software continually interrogates the SR2 for the most recent data, and downloads the data according to user-defined logging periods to the server or operating PC. Software users can view live and historic data, produce out of spec and summary reports and set alarms on both the data levels and the rate of change.

The SR2 is designed to be in constant communication with the software but has user-configurable fallback behaviour in the event of network or power failure. An on-board battery provides a UPS with 2.3A/hour life to carry it through up to 12 hours' power disruption (larger external UPSs are available as an optional extra).

Alarm relays are included: these can indicate that the readings are out of specification, and can be optionally set to indicate a network failure. MS1000 cards can be used to drive beacons, sounders and control systems on sensor alarm events.

## Schematic - SR2



**One system can comprise an unlimited number of sites.**