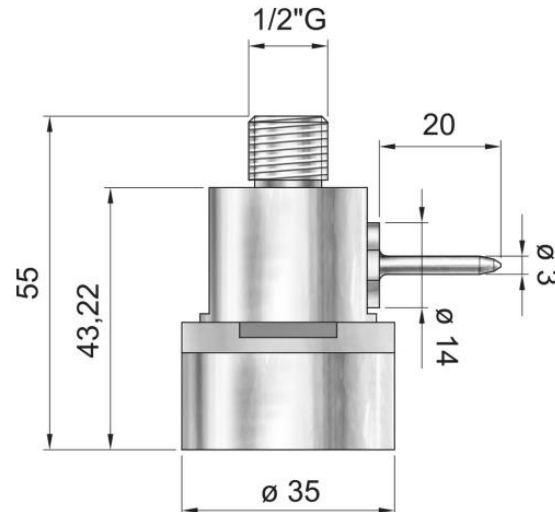


Autoclave datalogger for Pressure and Temperature



PressureDisk temperature datalogger: Pressure and temperature data logger from -40°C to 140°C (calibration from 25°C to 140°C) and from 0 to 5 bar with 20 mm length external probe,

- Completely food grade and waterproof
- 1/2 Gass threaded connector to be screwed outside autoclave (the logger can still be used inside the autoclave though)
- Low battery consumption for an extended battery life
- User replaceable battery (software shows battery status)
- Accredia (NIST equivalent) traceable calibration certificate included



The system

The system is made up by:

- PressureDisk temperature data logger
- DiskInterface HS or Universal Multibay
- HumiPressureDisk software or TS Manager software compatible with the FDA 21 CFR Part 11 regulation (calculates lethality value (F0, PU, A0 ecc.))

Accessories

- TS Manager
- HumiPressureDisk
- DiskInterface HS
- Universal multibay
- Battery kit for PressureDisk

	PressureDisk 05	PressureDisk
Height	43.22 mm	43.22 mm
Diameter	35 mm	35 mm
Probe		Radial rigid
Battery autonomy		

Free Call 0800 323 327

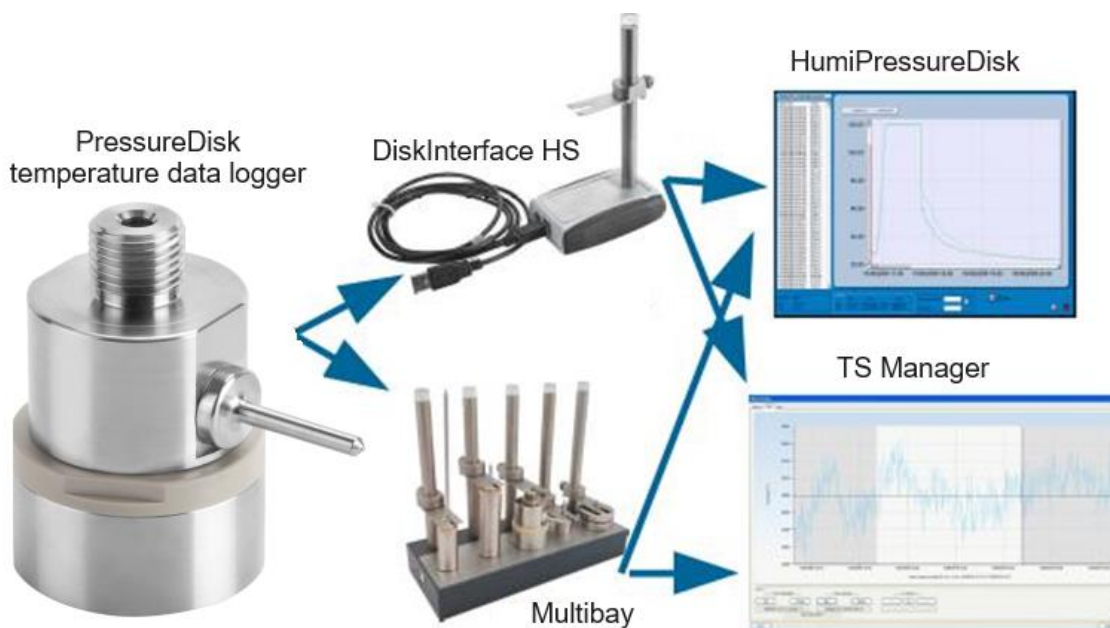
ECEFAST NZ LIMITED NZBN: 9429037885434

info@ecefast.co.nz

www.ecefast.co.nz

Technical specifications

- Dimensions 43,22 h X 35 Ø (mm) - 55 (mm) total h with ½ Gass threaded part
- Radial probe dimensions 20 l X 3 Ø (mm)
- Weight 145 g
- Materials Stainless steel AISI316L, PEEK
- Temperature range -40°C to 140°C
- Standard calibration points (temperature) 25/50/75/100/121/140°C
- Extra calibration points (temperature) Within the range -40 °C to +140 °C
- Temperature resolution 0.01 °C
- Temperature accuracy ± 0.1 °C (within the calibration range)
- Pressure range 0 bar to 5 bar
- Standard calibration points (pressure) 50/1k/2k/3k/4k absolute mbar
- Extra calibration points (temperature) Within the range 50 mbar to 5 bar absolute
- Pressure resolution 1 mbar
- Pressure accuracy ± 15 mbar
- Memory (n. of acquisitions) 27,264
- Battery life +6.000.000 acquisitions at 1 second step continuously (calculated time@25°C. Battery life may be shorter if used in low temperature)
- Acquisition step From 1 every second up
- Protection degree IP68
- **Applications:** These devices can be employed in any application involving pharmaceuticals, validation, laboratory and medical field.



Free Call 0800 323 327

ECEFAST NZ LIMITED NZBN: 9429037885434

info@ecefast.co.nz

www.ecefast.co.nz