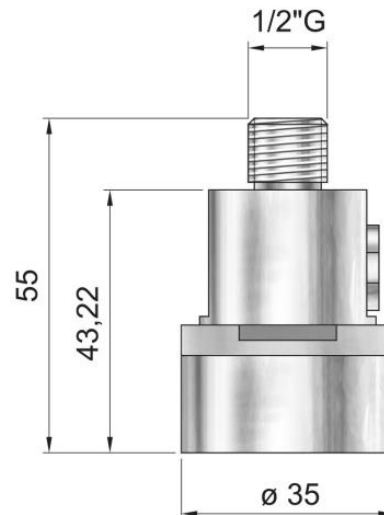


## Autoclave datalogger

### PressureDisk 05



**PressureDisk 05:** Data logger from 0 to 5 bar

- Completely food grade and waterproof
- 1/2 Gass threaded connector to be screwed outside autoclave (the logger can still be used inside the autoclave though)
- Low battery consumption for an extended battery life
- User replaceable battery (software shows battery status)
- Accredia (NIST equivalent) traceable calibration certificate included



#### The system

The system is made up by:

- PressureDisk 05 data logger
- DiskInterface HS or Universal Multibay
- HumiPressureDisk software or TS Manager software compatible with the FDA 21 CFR Part 11 regulation (calculates lethality value (F0, PU, A0 ecc.)

#### Accessories

- TS Manager
- HumiPressureDisk
- DiskInterface HS
- Universal multibay
- Battery kit for PressureDisk

	PressureDisk 05	PressureDisk
Height	43.22 mm	43.22 mm
Diameter	35 mm	35 mm
Probe		Radial rigid
Battery autonomy		

**Free Call 0800 323 327**

ECEFAST NZ LIMITED NZBN: 9429037885434

[info@ecefast.co.nz](mailto:info@ecefast.co.nz)

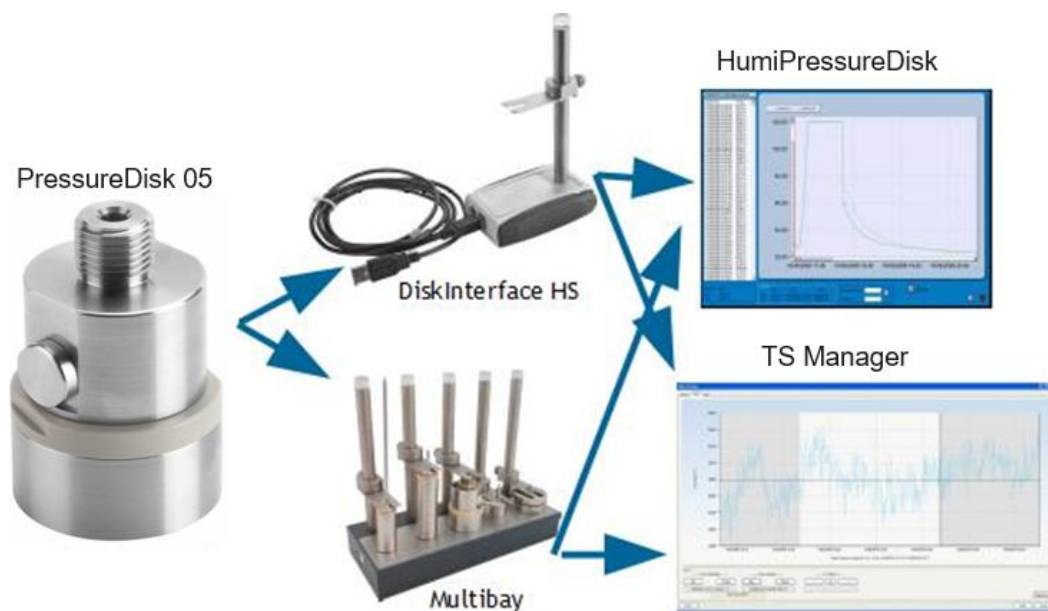
[www.ecefast.co.nz](http://www.ecefast.co.nz)

## Technical specifications

- Dimensions 43,22 h X 35 Ø (mm) - 55 (mm) total h with ½ Gass threaded part
- Weight 145 g
- Materials Stainless steel AISI316L, PEEK
- Pressure range 0 bar to 5 bar
- Standard calibration points (pressure) 50/1k/2k/3k/4k absolute mbar
- Extra calibration points (temperature) Within the range 50 mbar to 5 bar absolute
- Pressure resolution 1 mbar
- Pressure accuracy ± 15 mbar
- Memory (n. of acquisitions) 27,264
- Battery life +6.000.000 acquisitions at 1 second step continuously (calculated time@25°C. Battery life may be shorter if used in low temperature)
- Acquisition step From 1 every second up
- Protection degree IP68

## Applications:

These devices can be employed in any application involving pharmaceuticals, validation, laboratory and medical field.



**Free Call 0800 323 327**

ECEFAST NZ LIMITED NZBN: 9429037885434

[info@ecefast.co.nz](mailto:info@ecefast.co.nz)

[www.ecefast.co.nz](http://www.ecefast.co.nz)