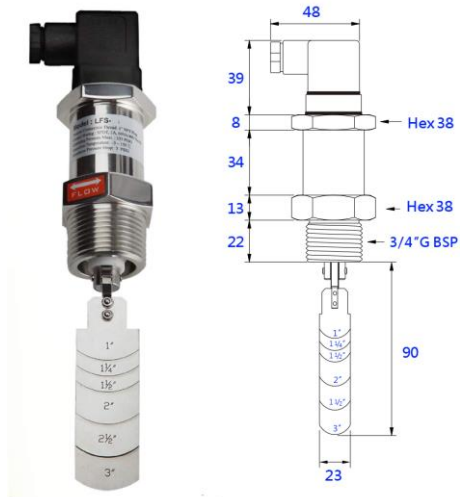


Paddle type flow switch BR-LFS-04H



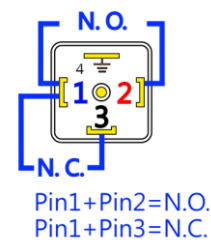
Principle

This flow switch utilizes the force of liquid flow to deflect its paddle and detect the flow of liquid in a pipe. With no flow the paddle is vertical and the spring is expanded. Reed switch contact is N.O. As flow occurs, the paddle is raised at an upward angle of 20°-30° (or more), the eccentric of paddle will push the magnet upward to actuate the reed switch. The length of paddle can be selected to suit the diameter of a pipe.

Product Features:

- Housing material : Aluminium Alloy (IP65)
- Paddle and body material : SUS 304
- Operating temperature : -3~120°C
- Operating pressure Max. : 2400 kPa / 24 bar
- Pressure drop allowance : 20 kPa / 0.2 bar
- Set point tolerance : 25%
- Repeatability difference : 5%
- SPDT, max 1A, max 40VA, max 240VAC
- Connection : 3/4" BSP
- Weight: approx. : 850g
- Paddles PRECUT - save time on assembly
- Extra strength paddle mounting for fluctuating flows

Terminal connection



Flow range table – L/m

Pipe size / Paddle length	1"		1¼"		1½"		2"		2½"		3"	
	Act	De-Act	Act	De-Act	Act	De-Act	Act	De-Act	Act	De-Act	Act	De-Act
1"	18.92	15.14	32.17	24.60	45.42	34.06	64.35	56.78				
1¼"			24.60	17.03	34.06	26.49	56.78	45.42	87.06	75.70		
1½"					52.99	37.85	87.06	60.56	121.13	94.63		
2"							68.13	45.42	90.84	64.35	124.91	102.20
2½"									75.70	49.21	102.20	83.27
3"											83.27	60.56

Free Call 0800 323 327

ECEFAST NZ LIMITED NZBN: 9429037885434

sales@ecefast.co.nz

www.ecefast.co.nz